

DRAWING NO.

REVISIONS

REV.	DESCRIPTION	DATE	APPVD.

SURFACE LAUNCH RIGHT ANGLE STRIPLINE JACK

Frequency Range: DC to 12.4 GHz

Material: Stainless steel

Finishes:

- 1) Gold
- 9) Passivated
- 7) Nickel
- 4) Silver

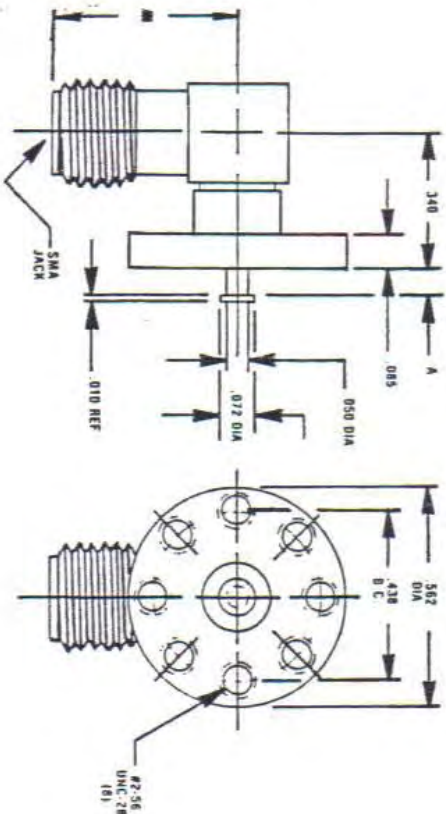
Center Contact: Captured, plug in turret terminal

DIMENSIONS (In Inches): STRIPLINE SIZE

- (1) A = .063
- (2) A = 1/8
- (3) A = .031
- (4) A = 1/16
- (4) A = .125

NOTE:

All additional specifications and interface parameters are in accordance with the latest revision of MIL-C-39012



THIS DRAWING INCLUDING THE DESIGN IS THE PROPERTY OF COAXIAL COMPONENTS CORP. AND IS NOT TO BE USED FOR ANY PURPOSE WITHOUT OUR APPROVAL.

COAXIAL COMPONENTS CORP.
 1707-32A VETERANS HWY, CENTRAL ISLIP, N.Y. 11722 (516) 234-4447

DESCRIPTION:

DRAWN	SIGNATURE:	DATE:
CHKD		
APPROVED		

SIZE FSCM DRAWING NO.

A 66702 3223-()-FINISH

REV

A

DIMENSIONS ARE IN INCHES UNLESS OTHERWISE SPECIFIED.

DRAWING NO. 3248-(*)-(finish)

REV.	DESCRIPTION	DATE	APPVD.

Specification in accordance with applicable paragraphs Of MIL-C-39012 and attached SMA Specifications

Materials: Stainless steel body per QQ-S-764, Class 303
 Berillium copper female contacts per QQ-C-530
 Insulator TFE Fluorocarbon Per MIL-P-19468
 And L-P-403. Silicone rubber per MIL-R-5847
 And ZZ-R-765

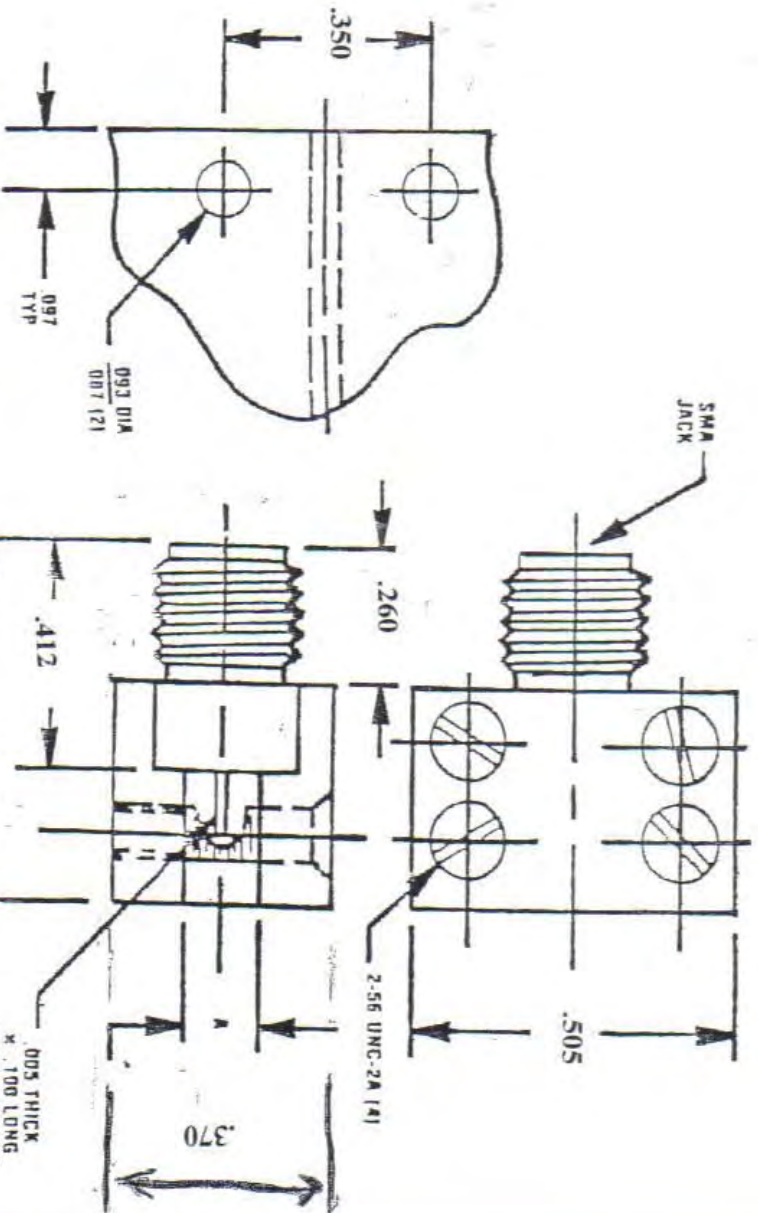
Finish: - (1) Gold plated Per MIL-G-45204
 (9) Passivated

Contacts are Gold plated per MIL-G-45204 .0001 Min. And captivated, with tab terminal

Frequency Range: DC-18 GHz
 Connector Durability = 500 Cycles of insertion and withdrawal

Part Number	Stripline Size	Dimension (A)	(B)
3248-1A-finish	1/16	.062	.025
3248-2-finish	1/8	.125	.050
3248-4-finish	1 / 4	.250	.050

Dimensions are in Inches unless otherwise Specified,, Max as Shown



MFG. HOLE PATTERN

DRAWING TOLERANCES UNLESS OTHERWISE SPECIFIED:
 DECIMALS: 2 PL: +/- 0.03
 3 PL: +/- 0.005
 ANGLES: +/- 2 DEGREES

PARTS ARE IN ACCORDANCE WITH APPLICABLE PARAGRAPHS OF MIL-C-39012

THIS DRAWING INCLUDING THE DESIGNS IS THE PROPERTY OF COAXIAL COMPONENTS CORP. AND IS NOT TO BE USED FOR ANY PURPOSE WITHOUT OUR APPROVAL.

DRAWN	SIGNATURE:	DATE:
CHECKED		1/1/11
APPROVED		

DIMENSIONS ARE IN INCHES UNLESS OTHERWISE SPECIFIED

COAXIAL COMPONENTS CORP.

10 Da Vinci Drive, Bohemia, NY 11716
 631-244-1200 Fax 631-244-2430

DESCRIPTION: SMA Stripline Fem. End Launch

SIZE	FSCM	DRAWING NO.	REV.
66702		3248-(*)-(finish)	

DRAWING NO. 3243-(#)-(**)-(*)

REVISIONS

REV.	DESCRIPTION	DATE	APPVD.
A	ADD MTC HOLE OPTIONS	01/02	

PERFORMANCE

FREQUENCY: DC TO 18 GHZ
 IMPEDANCE: 50 OHMS NOMINAL
 VSWR: 1.02 + .005(FREQ[GHZ]) MAX.
 INSULATION RESISTANCE: 5000 OHMS MIN.
 DIELECTRIC WITHSTANDING VOLTAGE: 1000 VRMS
 VOLTAGE RATING: 500 VRMS
 TEMPERATURE RANGE: -65° C TO +165° C
 ENVIRONMENTAL: PER MIL-STD-202 AS APPLICABLE
 DURABILITY: 500 MATING CYCLES
 RECOMMENDED MATING TORQUE: 7 - 10 IN-LBS.
 CONTACT: NON-CAPTURED TURRET TERMINAL.

MATERIALS

BODY: STAINLESS STEEL PER ASTM-A-582, TYPE 303
 SMA CONTACT: BERYLLIUM COPPER ASTM-B-196
 (GOLD PLATED PER MIL-G-45204)
 INSULATORS: TFE FLUOROCARBON ASTM-D-1457

(#): ADD DASH # FOR STRIPLINE THICKNESS

#	DIM. A	STRIPLINE THK.
1	.031	.063 (1/16")
2	.063	.125 (1/8")
3	.125	.250 (1/4")

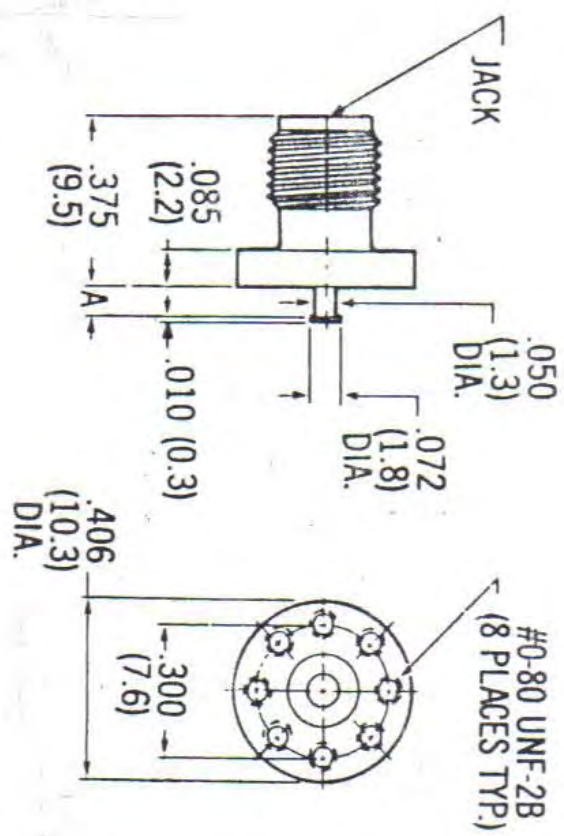
(**): ADD CODE FOR NUMBER OF MTC. HOLES
 (SEE FIGURE)

"8" = 8 PLACES TYP. (45° SPACING)
 "7" = 7 PLACES TYP. (45° SPACING).

(*): ADD SUFFIX FOR FINISH
 -1: GOLD PLATED PER
 MIL-G-45204
 -9: PASSIVATED PER QQ-P-35

PARTS MEET APPLICABLE
 PARA. OF MIL-PRF-39012,
 AND MIL-STD-348/SMA.

ORIGINAL



NOTE: DRAWING SHOWS 8-MOUNTING HOLE CONFIGURATION,
 ON 7-MOUNTING HOLE OPTION, ONE HOLE IS SIMPLY OMITTED.
 ALL OTHER DIMENSIONS ARE UNCHANGED.

THIS DRAWING INCLUDING THE DESIGN IS THE
 PROPERTY OF COAXICOM AND IS NOT TO BE USED
 FOR ANY PURPOSE WITHOUT OUR APPROVAL.

COAXIAL COMPONENTS CORP.
 10 DAVINCI DRIVE, BOHEMIA, NY 11716-2801
 (631) 244-1200, 1-800-583-9954, FAX (631) 244-2430

DRAWN	SIGNATURE:	DATE
CHKD		
APPROVED		

DIMENSIONS ARE IN INCHES UNLESS
 OTHERWISE SPECIFIED.

DESCRIPTION: SURFACE MOUNT SMA STRIPLINE JACK	SIZE	FSCM	DRAWING NO.	REV.
	A	66702	3243-(#)-(**)-(*)	A