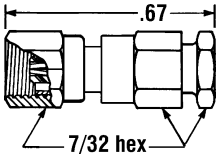
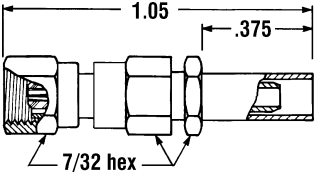
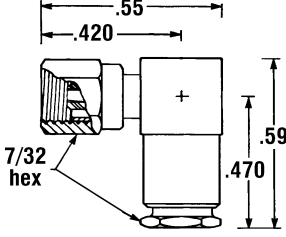
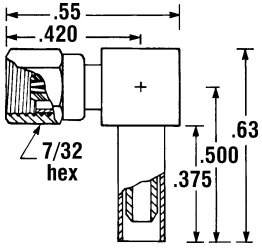
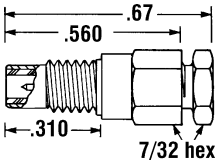
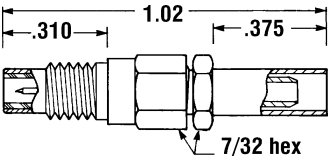
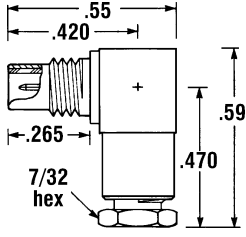
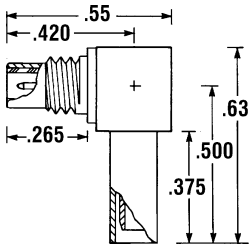
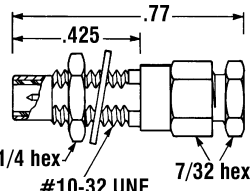
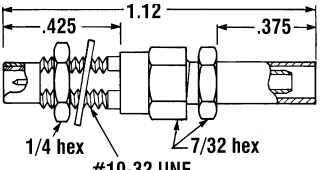
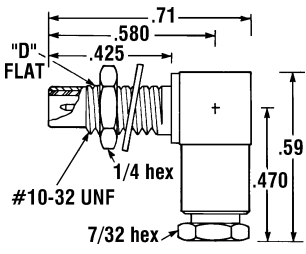
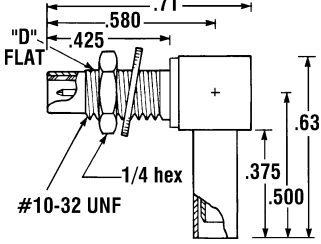
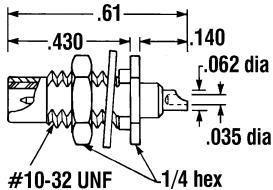
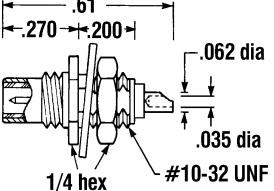
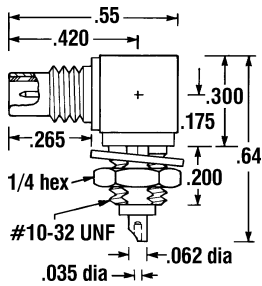
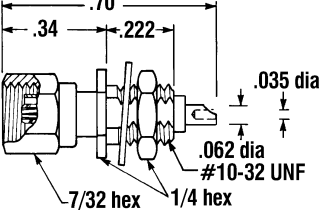
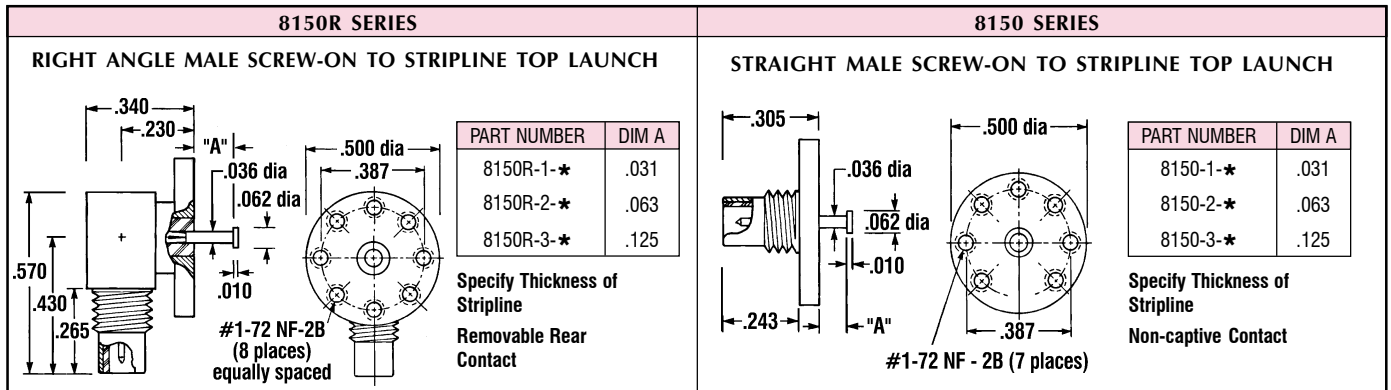
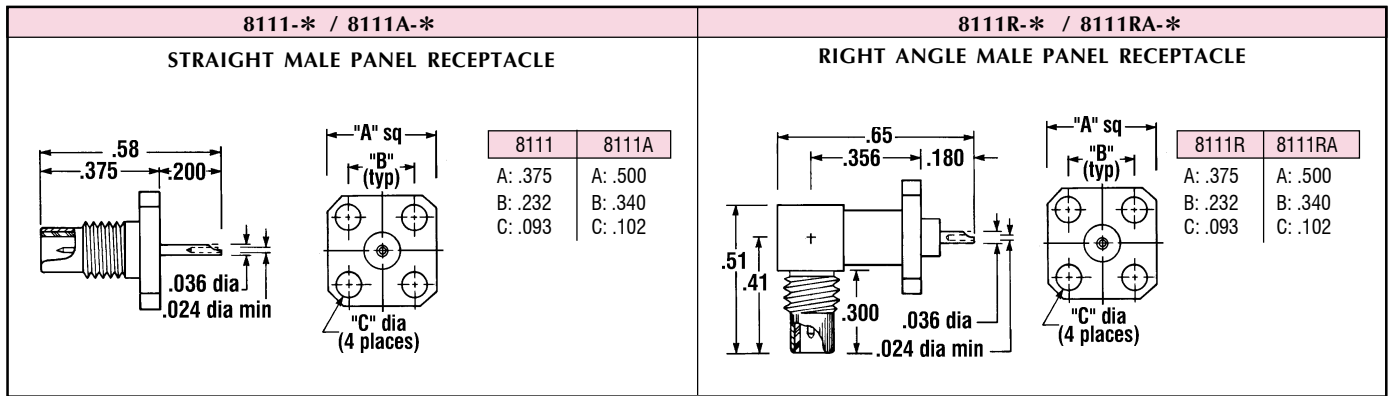
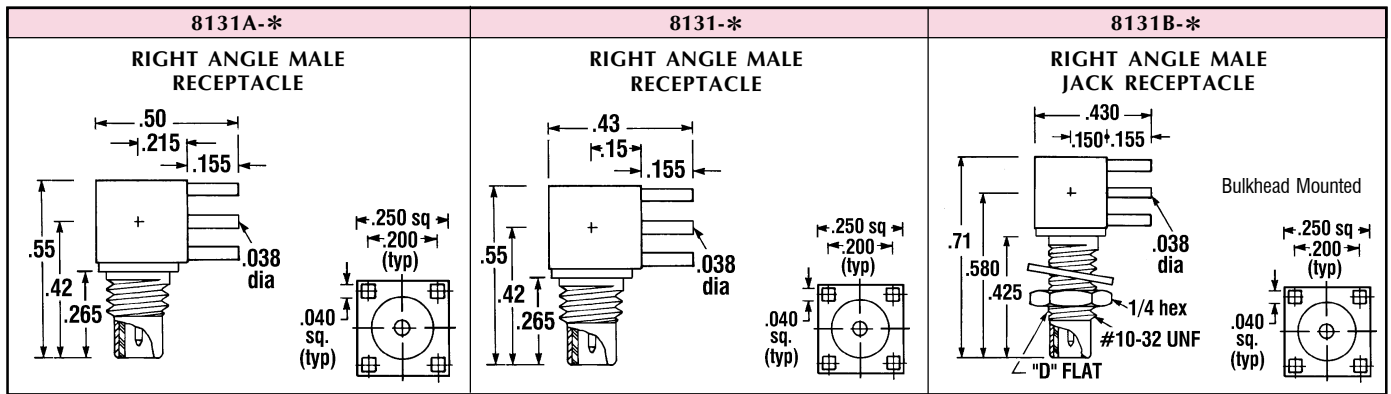
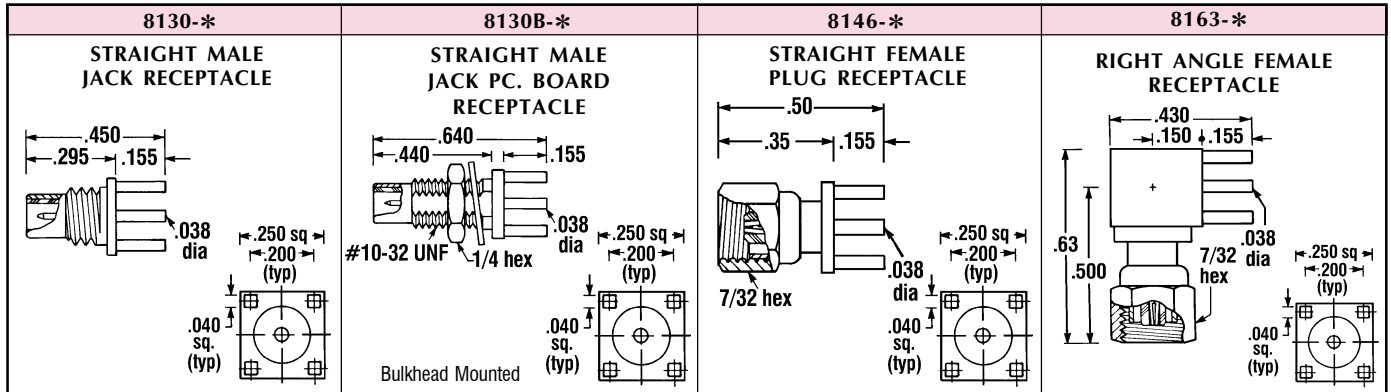


SMC CONNECTORS FOR FLEXIBLE & SEMI-RIGID CABLE, AND BULKHEAD RECEPTACLES



<p>8123-XX-*</p> <p>STRAIGHT FEMALE CABLE PLUG</p>  <p>Clamp for Flexible Cable Solder/Clamp for Cable Groups 30 & 31</p>	<p>8323-XX-*</p> <p>STRAIGHT FEMALE CABLE PLUG</p>  <p>Crimp Type</p>	<p>8126-XX-*</p> <p>RIGHT ANGLE FEMALE CABLE PLUG</p>  <p>Clamp for Flexible Cable Solder/Clamp for Cable Groups 30 & 31</p>	<p>8326-XX-*</p> <p>RIGHT ANGLE FEMALE CABLE PLUG</p>  <p>Crimp Type</p>
<p>8122-XX-*</p> <p>STRAIGHT MALE CABLE JACK</p>  <p>Clamp for Flexible Cable Solder/Clamp for Cable Groups 30 & 31</p>	<p>8322-XX-*</p> <p>STRAIGHT MALE CABLE JACK</p>  <p>Crimp Type</p>	<p>8162-XX-*</p> <p>RIGHT ANGLE MALE CABLE JACK</p>  <p>Clamp for Flexible Cable Solder/Clamp for Cable Groups 30 & 31</p>	<p>8362-XX-*</p> <p>RIGHT ANGLE MALE CABLE JACK</p>  <p>Crimp Type</p>
<p>8124-XX-*</p> <p>STRAIGHT MALE BULKHEAD CABLE JACK</p>  <p>Clamp for Flexible Cable Solder/Clamp for Cable Groups 30 & 31</p>	<p>8324-XX-*</p> <p>STRAIGHT MALE BULKHEAD CABLE JACK</p>  <p>Crimp Type</p>	<p>8127-XX-*</p> <p>RIGHT ANGLE MALE BULKHEAD CABLE JACK</p>  <p>Clamp for Flexible Cable Solder/Clamp for Cable Groups 30 & 31</p>	<p>8327-XX-*</p> <p>RIGHT ANGLE MALE BULKHEAD CABLE JACK</p>  <p>Crimp Type</p>
<p>8125-*</p> <p>STRAIGHT MALE CHASSIS RECEPTACLE</p>  <p>Nut in Front of Panel</p>	<p>8140-*</p> <p>STRAIGHT MALE CHASSIS RECEPTACLE</p>  <p>Nut Behind Panel</p>	<p>8133-*</p> <p>RIGHT ANGLE MALE CHASSIS RECEPTACLE</p> 	<p>8138-*</p> <p>STRAIGHT FEMALE CHASSIS RECEPTACLE</p> 

XX - * - SEE NOTE ON SPECIFICATION SHEET FOR CABLE GROUPS, MATERIAL, FINISH CODES AND MOUNTING HOLE SIZE



XX SEE NOTE ON SPECIFICATION SHEET FOR CABLE GROUPS, MATERIAL, FINISH CODES AND MOUNTING HOLE SIZE; PRE-TINNED LEGS AND CONTACTS AVAILABLE BY ADDING SUFFIX "P" TO PART NUMBER (i.e., 8130P-1)

* 1 indicates gold plating, -7 indicates nickel plating