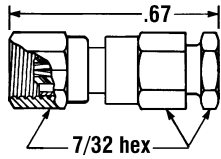
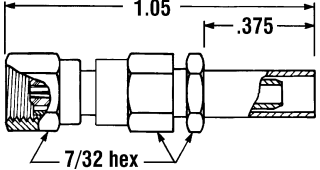
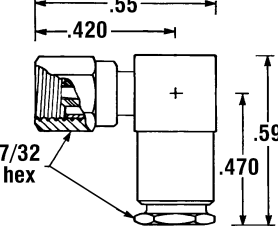
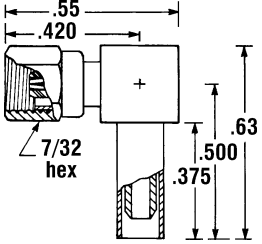
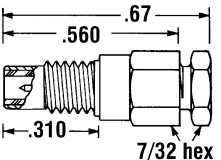
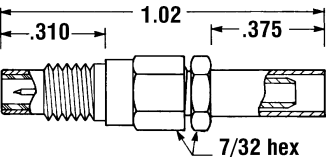
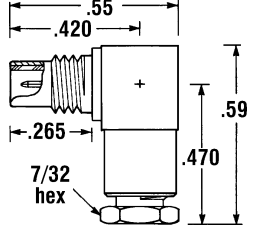
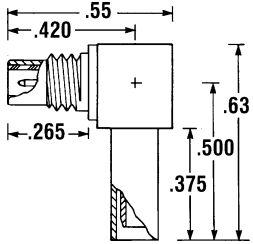
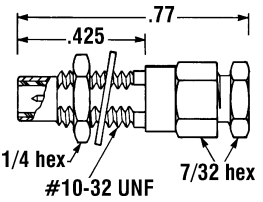
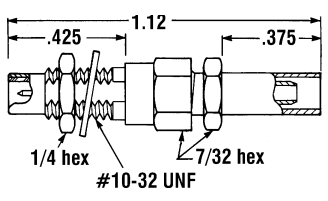
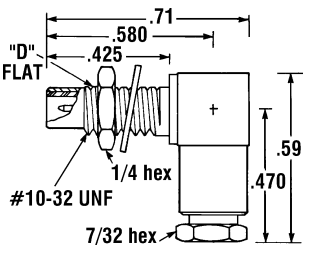
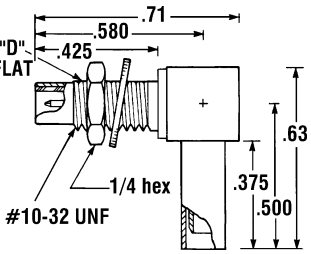


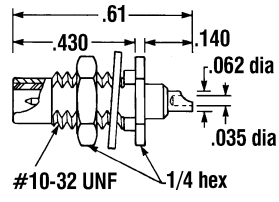
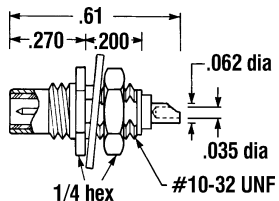
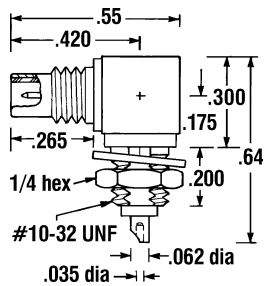
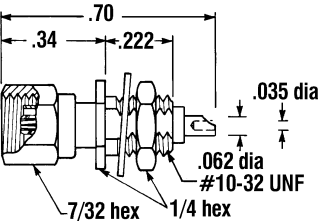
SMC CONNECTORS FOR FLEXIBLE & SEMI-RIGID CABLE, AND BULKHEAD RECEPTACLES



<p>8123-XX-*</p> <p>STRAIGHT FEMALE CABLE PLUG</p>  <p>Clamp for Flexible Cable Solder/Clamp for Cable Groups 30 & 31</p>	<p>8323-XX-*</p> <p>STRAIGHT FEMALE CABLE PLUG</p>  <p>Crimp Type</p>	<p>8126-XX-*</p> <p>RIGHT ANGLE FEMALE CABLE PLUG</p>  <p>Clamp for Flexible Cable Solder/Clamp for Cable Groups 30 & 31</p>	<p>8326-XX-*</p> <p>RIGHT ANGLE FEMALE CABLE PLUG</p>  <p>Crimp Type</p>
--	--	--	---

<p>8122-XX-*</p> <p>STRAIGHT MALE CABLE JACK</p>  <p>Clamp for Flexible Cable Solder/Clamp for Cable Groups 30 & 31</p>	<p>8322-XX-*</p> <p>STRAIGHT MALE CABLE JACK</p>  <p>Crimp Type</p>	<p>8162-XX-*</p> <p>RIGHT ANGLE MALE CABLE JACK</p>  <p>Clamp for Flexible Cable Solder/Clamp for Cable Groups 30 & 31</p>	<p>8362-XX-*</p> <p>RIGHT ANGLE MALE CABLE JACK</p>  <p>Crimp Type</p>
--	--	---	--

<p>8124-XX-*</p> <p>STRAIGHT MALE BULKHEAD CABLE JACK</p>  <p>Clamp for Flexible Cable Solder/Clamp for Cable Groups 30 & 31</p>	<p>8324-XX-*</p> <p>STRAIGHT MALE BULKHEAD CABLE JACK</p>  <p>Crimp Type</p>	<p>8127-XX-*</p> <p>RIGHT ANGLE MALE BULKHEAD CABLE JACK</p>  <p>Clamp for Flexible Cable Solder/Clamp for Cable Groups 30 & 31</p>	<p>8327-XX-*</p> <p>RIGHT ANGLE MALE BULKHEAD CABLE JACK</p>  <p>Crimp Type</p>
---	---	---	--

<p>8125-*</p> <p>STRAIGHT MALE CHASSIS RECEPTACLE</p>  <p>Nut in Front of Panel</p>	<p>8140-*</p> <p>STRAIGHT MALE CHASSIS RECEPTACLE</p>  <p>Nut Behind Panel</p>	<p>8133-*</p> <p>RIGHT ANGLE MALE CHASSIS RECEPTACLE</p> 	<p>8138-*</p> <p>STRAIGHT FEMALE CHASSIS RECEPTACLE</p> 
--	---	---	---

XX - * - SEE NOTE ON SPECIFICATION SHEET FOR CABLE GROUPS, MATERIAL, FINISH CODES AND MOUNTING HOLE SIZE