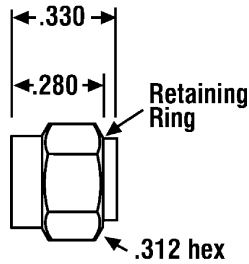


### STRAIGHT PLUG

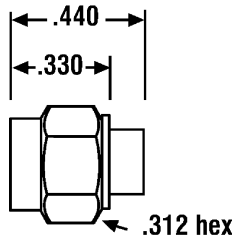


### FOR SEMI-RIGID OR ULTRA-FLEX CABLE

MODEL	3183-1-*	3183-3-*	3183P-3-*	3133-*	3136-*
CABLE	RG402 M17/130 .141	RG405 M17/133 .085	Supplied Pre-Assembled RG405 M17/133 .085	M17/151 .047	M17/154 .034
NOTES	use cable for center contact	center contact provided	center contact provided	center contact provided	center contact provided

NOTES: solder to body, retractable coupling nut

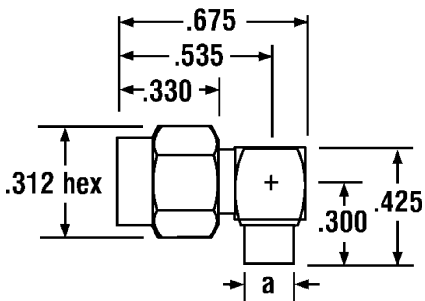
### STRAIGHT PLUG



### FOR SEMI-RIGID OR ULTRA-FLEX CABLE

MODEL	3207-1-*	3201-1A-*	3201-2A-*
CABLE	RG402, M17/130 .141	RG402, M17/130 .141	RG405, M17/133 .085
NOTES	center contact and insulator provided solder to body	use cable for center contact and insulator solder to body	center contact and insulator provided solder to body

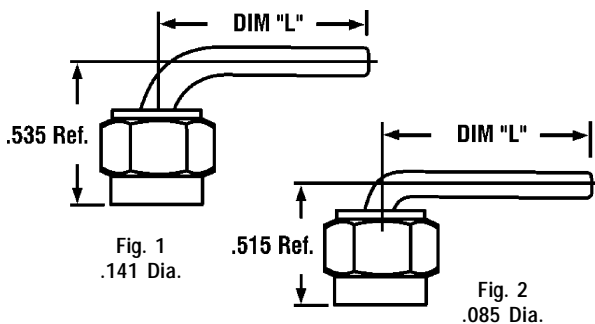
### RIGHT ANGLE PLUG



### FOR SEMI-RIGID OR ULTRA-FLEX CABLE

MODEL	3221-1A-1	3221-2A-1	3221-3A-1	3221-5-*
CABLE	RG402, M17/130 .141	RG405, M17/133 .085	M17/151 .047	RG401, M17/129 .250
a (min) =	.143	.088	.049	.253
NOTES	solder to body	solder to body	solder to body	solder to body

### RIGHT ANGLE BEND CABLE ASSEMBLY



### FOR SEMI-RIGID CABLE

MODEL	3221-1-L	3221-2-L
CABLE	RG402, M17/130 .141	RG405, M17/133 .085
NOTES	FIG. 1 ▲ L = cable length in inches	FIG. 2 ▲ L = cable length in inches
Low Profile, Improved VSWR, Pre-Assembled		

▲ Customer Specified

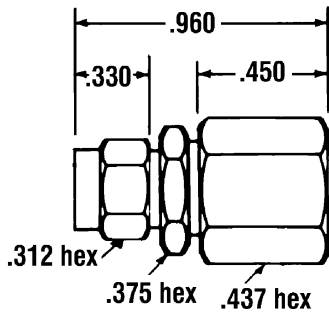
\* -1 indicates gold plated stainless steel all over.

-9 indicates passivated (stainless finish) except in areas where gold plating is required for solderability.

# SMA COAXIAL CONNECTORS



## STRAIGHT PLUG

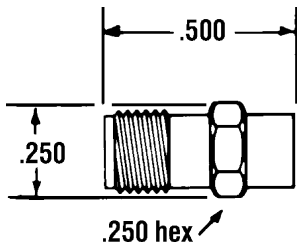


## FOR SEMI-RIGID OR ULTRA-FLEX CABLE

MODEL	3933-1A-*	3933-2A-*	3201-5C-*
CABLE	RG402, M17/130 .141	RG405, M17/133 .085	RG401, M17/129 .250
NOTES	drawing not shown solder clamp attachment		compression clamp per drawing shown also see Note 1

Note 1: on part 3201-5C-\*, remove C from part number for direct solder type.

## STRAIGHT JACK

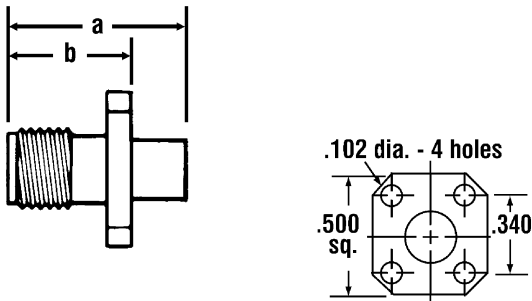


## FOR SEMI-RIGID OR ULTRA-FLEX CABLE

MODEL	3202-1A-1	3202-2A-1	3202-3A-1	3202-4C-1	3202-5-*
CABLE	RG402, M17/130 .141	RG405, M17/133 .085	M17/151 .047	M17/154 .034	RG401, M17/129 .250 <i>drawing not shown</i>
NOTES	solder to body				compression clamp also see Note 1

Note 1: on part 3202-5C-\*, remove C from part number for direct solder type.

## FLANGE MOUNT JACK

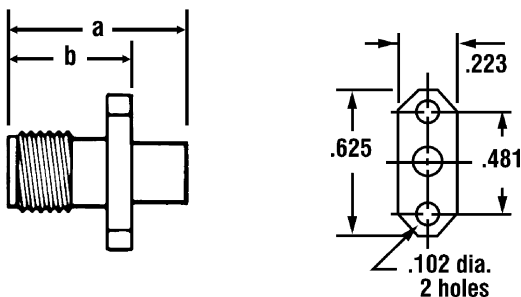


## FOR SEMI-RIGID OR ULTRA-FLEX CABLE

MODEL	3206-1-1	3206S-1-	3206-2-	3206S-2-	3134-2-1	3134-*
CABLE	RG402, M17/130 .141	RG402, M17/130 .141	RG405, M17/133 .085	RG405, M17/133 .085	.070	M17/151 .047
a =	.560	.55	.500	.55	.440	.440
b =	.375	.375	.375	.375	.375	.375
NOTES	solder to body					

\*"S" in part number indicates that the back of the flange has a raised shoulder (not shown).

## FLANGE MOUNT JACK



## FOR SEMI-RIGID OR ULTRA-FLEX CABLE

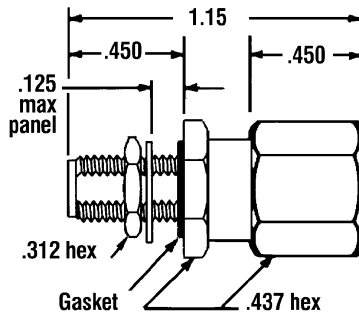
MODEL	3246-1-1	3246S-1-	3246-2-1	3246S-2-	3135-*	3135-42D-
CABLE	RG402, M17/130 .141	RG402, M17/130 .141	RG405, M17/133 .085	RG405, M17/133 .085	M17/151 .047	* .070
a =	.560	.55	.500	.55	.440	.440
b =	.375	.375	.375	.375	.375	.375
NOTES	solder to body					

\*"S" in part number indicates that the back of the flange has a raised shoulder (not shown).

\* -1 indicates gold plated stainless steel all over.

-9 indicates passivated (stainless finish) except in areas where gold plating is required for solderability.

### BULKHEAD JACK

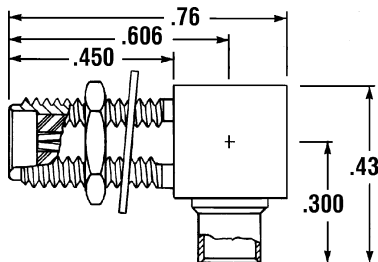


### FOR SEMI-RIGID OR ULTRA-FLEX CABLE

MODEL	3928-1A-*	3928-2A-*	3147-*	3147B-*
CABLE	RG402, M17/130 .141	RG405, M17/133 .085	RG401, M17/129 .250	.325
NOTES	drawing not shown solder clamp attachment	drawing not shown solder clamp attachment	as shown	clamp nut is .50 hex
	compression clamp			

Connectors for 3 and 5 spline .250 diameter cable are available. Consult Coaxicom.

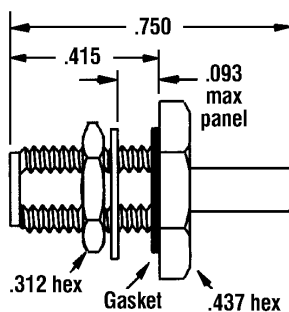
### RIGHT ANGLE BULKHEAD JACK



### FOR SEMI-RIGID OR ULTRA-FLEX CABLE

MODEL	3222-1A-*	3222-2A-*	3222-3A-*
CABLE	RG402, M17/130 .141	RG405, M17/133 .085	M17/151 .047
NOTES	direct solder attachment	direct solder attachment	direct solder attachment

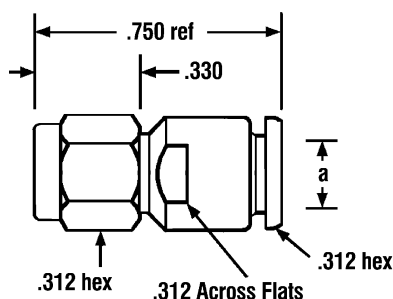
### BULKHEAD JACK



### FOR SEMI-RIGID OR ULTRA-FLEX CABLE

MODEL	3210-1-1	3210-2-1	3210-3-1	3210A-1-1	3210A-2-1	3210A-3-1
CABLE	RG402, M17/130 .141	RG405, M17/133 .085	M17/151 .047	RG402, M17/130 .141	RG405, M17/133 .085	M17/151 .047
NOTES	solder to body	solder to body	solder to body	.312 hex no gasket solder to body	.312 hex no gasket solder to body	.312 hex no gasket solder to body

### STRAIGHT PLUG



### FOR FLEXIBLE CABLE

MODEL	3917-1-*	3917-3-*	3917-4-*	3917-5-*	3917-29-*
CABLE	RG55, 58, 141, 142, 223, 303, 400 LMR195	RG174, 179, 187, 188, 316 LMR100A	RG180, 195	RG178, 196	RG188DS, 316DS
a =	.220	.116	.160	.080	.116
NOTES	wedge clamp	wedge clamp	wedge clamp	wedge clamp	wedge clamp

\* -1 indicates gold plated stainless steel all over.

-9 indicates passivated (stainless finish) except in areas where gold plating is required for solderability.

SEE SPECIFICATION SHEET FOR MOUNTING HOLE SIZE.

# SMA FIELD REPLACEABLE CONNECTORS



## FEATURES:

- Manufactured per MIL-PRF-39012
- Stainless Steel Construction
- Frequency: DC to 18 GHz
- With or without EMI gasket
- Precision TNC and N Types are also available. Consult factory.

FLANGE TYPES			
<b>.375 SQ.</b>  .375 sq. .067 dia. 4 holes	<b>.500 SQ.</b>  .500 sq. .102 dia. 4 holes	<b>.375 X .500</b>  .500 .375 .222 .340 .093 dia. 4 holes	<b>.223 X .625</b>  .223 .625 .481 .102 dia. 2 holes

CONNECTOR	ACCEPTS PIN DIA.	MODEL	MODEL	MODEL	MODEL
 <b>JACK MATING</b>	.012	3131K-12-*	3131-12-*	3142-12-*	3130-12-*
	.015	3131K-15-*	3131-15-*	3142-15-*	3130-15-*
	.018	3131K-18-*	3131-18-*	3142-18-*	3130-18-*
	.020	3131K-20-*	3131-20-*	3142-20-*	3130-20-*
	.036	3131K-36-*	3131-36-*	3142-36-*	3130-36-*
 <b>PLUG MATING</b>	.012	3310K-12-*	3310-12-*	3310Y-12-*	3311-12-*
	.015	3310K-15-*	3310-15-*	3310Y-15-*	3311-15-*
	.018	3310K-18-*	3310-18-*	3310Y-18-*	3311-18-*
	.020	3310K-20-*	3310-20-*	3310Y-20-*	3311-20-*
	.036	3310K-36-*	3310-36-*	3310Y-36-*	3311-36-*
 <b>RIGHT ANGLE JACK MATING</b>	.012	N/A	3927F-12-*	3927FY-12-*	3927FA(#)-12-*
	.015		3927F-15-*	3927FY-15-*	3927FA(#)-15-*
	.018		3927F-18-*	3927FY-18-*	3927FA(#)-18-*
	.020		3927F-20-*	3927FY-20-*	3927FA(#)-20-*
	.036		3927F-36-*	3927FY-36-*	3927FA(#)-36-*
 <b>RIGHT ANGLE PLUG MATING</b>	.012	N/A	3927M-12-*	3927MY-12-*	3927MA(#)-12-*
	.015		3927M-15-*	3927MY-15-*	3927MA(#)-15-*
	.018		3927M-18-*	3927MY-18-*	3927MA(#)-18-*
	.020		3927M-20-*	3927MY-20-*	3927MA(#)-20-*
	.036		3927M-36-*	3927MY-36-*	3927MA(#)-36-*
 <b>FEMALE SOCKET SOLDER CONTACT</b>	<b>DIRECT SOLDER FLANGE FOR .047 SEMI-RIGID CABLE</b>				
	.012	3147K-12-1	3147-12-1	3147Y-12-1	3147A-12-1
	.015	3147K-15-1	3147-15-1	3147Y-15-1	3147A-15-1
	.018	3147K-18-1	3147-18-1	3147Y-18-1	3147A-18-1
 <b>FEMALE SOCKET CAPTIVE CONTACT</b>	<b>DIRECT SOLDER FLANGE FOR .085 SEMI-RIGID CABLE</b>				
	.012	3185K-12-1	3185-12-1	3185Y-12-1	3185A-12-1
	.015	3185K-15-1	3185-15-1	3185Y-15-1	3185A-15-1
	.018	3185K-18-1	3185-18-1	3185Y-18-1	3185A-18-1
	.020	3185K-20-1	3185-20-1	3185Y-20-1	3185A-20-1

NOTES: For EMI gasket add suffix "E" to part number. Example 3130E-12-\*  
 # add suffix: With contact facing down; "R" for 45° right; "L" for 45° left; leave blank for 90° horizontal contact orientation.  
 Nominal pin diameter show; Flange thickness is .065 for all flange types; insulators are flush to flange.  
 Other connector configurations are available; contact COAXICOM.  
 \*-1 indicates gold plated stainless steel body, -9 indicates passivated (stainless steel).