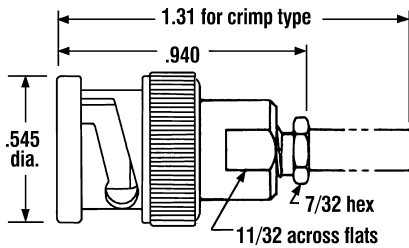


STRAIGHT PLUG



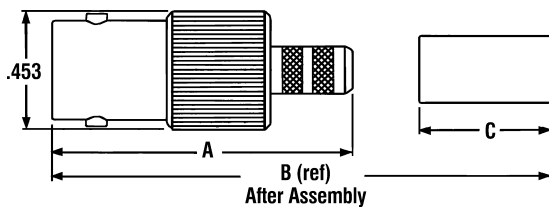
FOR FLEXIBLE, SEMI-RIGID OR ULTRA-FLEX CABLE

MODEL	2541-5XX-*	2541-7XX-*	2541-4XX-*
CABLE GROUP	23, 24, 26, 29	23, 24, 26, 29	30, 31
NOTES	clamp type for flexible cable	crimp type for flexible cable	solder clamp for semi-rigid or ultra-flex cable

XX: Insert Cable Group code into Part Number from above table where applicable.

See page 53 for additional cable options or contact factory.

STRAIGHT CRIMP JACK

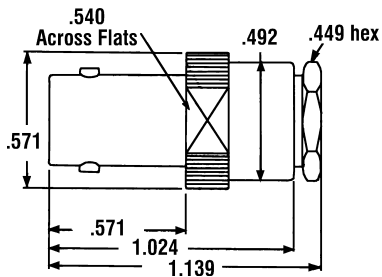


FOR FLEXIBLE CABLE

MODEL	2091CC-22A-*		2091CC-24A-*	
CABLE	RG55, 142		RG188, 316	
DIM	A	1.135	A	1.076
	B	1.323	B	1.375
	C	.500	C	.522
NOTES	captive center contact crimp type		captive center contact crimp type	

See page 53 for additional cable options or contact factory.

STRAIGHT CLAMP JACK

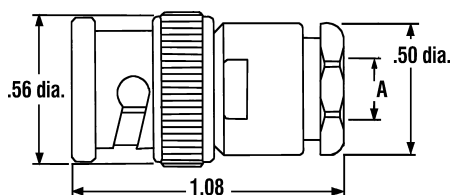


FOR FLEXIBLE CABLE

MODEL	2091FCC-22A/27A-*	2091FCC-28A-*
CABLE	RG55, 58, 141	RG59, 62
NOTES	captive center contact	captive center contact

See page 53 for additional cable options or contact factory.

STRAIGHT CLAMP PLUG



FOR FLEXIBLE CABLE

MODEL	2917-22/27A-*	2917-28A-*	2917-24A-*
CABLE	RG55, 58, 141, 142	RG59, 61, 71, 210	RG188, 316
DIM A:	.224	.258	.115
NOTES	silver plated center contact	silver plated center contact	silver plated center contact

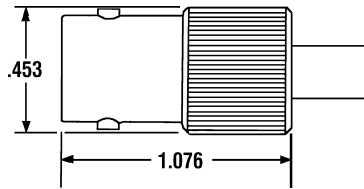
See page 53 for additional cable options or contact factory.

*-1 indicates gold plating, -4 indicates silver plating, -7 indicates nickel plating.
For Reverse Polarized add "RP" to part number.

BNC COAXIAL CONNECTORS



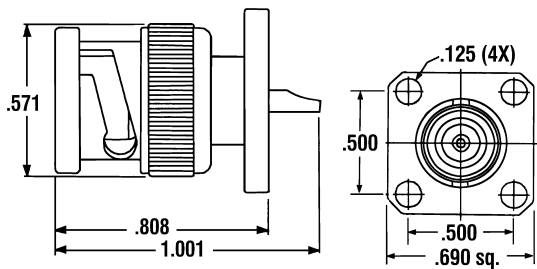
STRAIGHT JACK



FOR SEMI-RIGID OR ULTRA-FLEX CABLE

MODEL	2202-30-*	2202-31-*
CABLE	RG402, M17/130, Ultra-Flex	RG405, M17/133, Ultra-Flex
NOTES	direct solder attach	direct solder attach

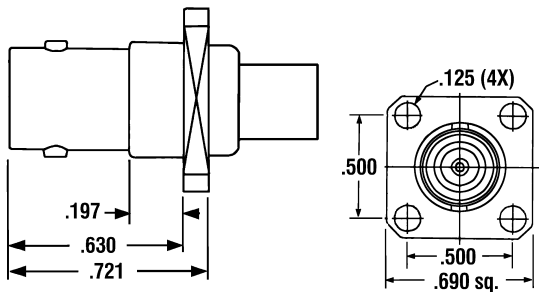
FLANGE MOUNT PLUG



RECEPTACLE

MODEL	2111-*
NOTES	captured center contact solder pot flush rear terminal

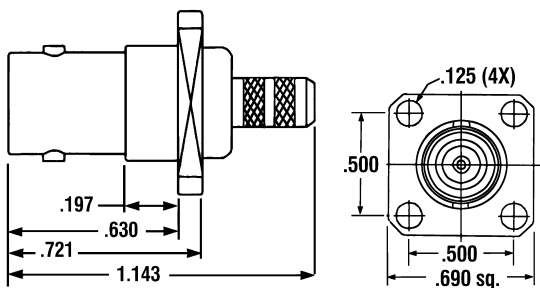
FLANGE MOUNT JACK



FOR SEMI-RIGID OR ULTRA-FLEX CABLE

MODEL	2206-30-*	2206-31-*
CABLE	RG402, M17/130, Ultra-Flex	RG405, M17/133, Ultra-Flex
DIM A:	.144	.089
DIM B:	.180	.120
NOTES	direct solder	direct solder

FLANGE MOUNT JACK CRIMP



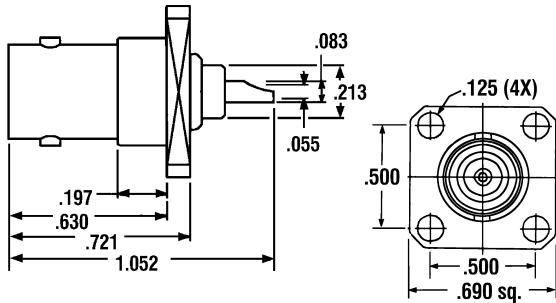
FOR FLEXIBLE CABLE

MODEL	2046-CC-27-*	2046-CC-22-*	2046-CC-24A-*	2046-CC-24B-*
CABLE	RG58, 141, 303	RG55, 142, 223, 400	RG174, 188, 316	RG179, 187

NOTE: Total length after assembly = 1.34 REF.

*-1 indicates gold plating, -4 indicates silver plating, -7 indicates nickel plating.
For Reverse Polarized add "RP" to part number.

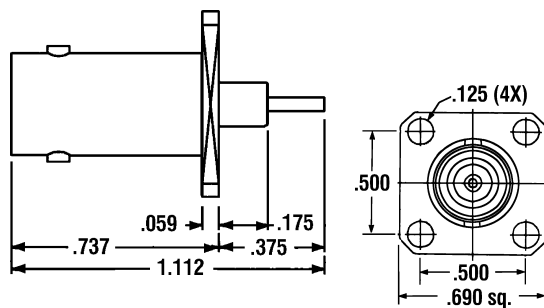
FLANGE MOUNT JACK



RECEPTACLE

MODEL	2215A-*
NOTES	captured center contact extended teflon solder pot terminal

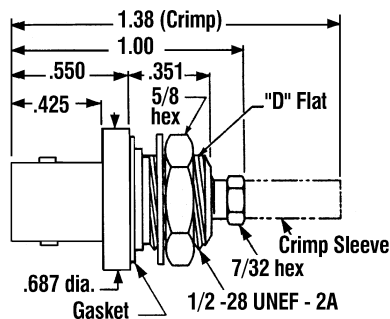
FLANGE MOUNT JACK



RECEPTACLE

MODEL	2204-CC-*
NOTES	captured center contact blunt post

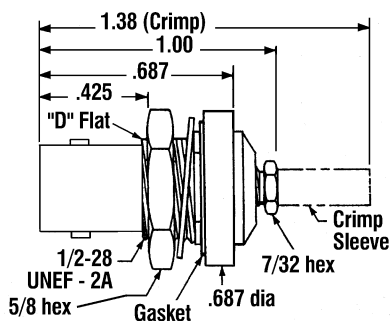
FRONT MOUNT BULKHEAD JACK



FOR FLEXIBLE, SEMI-RIGID OR ULTRA-FLEX CABLE

MODEL	2578-5XX-*	2578-7XX-*	2578-4XX-*
CABLE GROUP	23, 24, 26, 29	23, 24, 26, 29	30, 31
NOTES	clamp type for flexible cable	crimp type for flexible cable	solder-clamp for semi-rigid and Ultra-Flex cable

REAR MOUNT BULKHEAD JACK



FOR FLEXIBLE, SEMI-RIGID OR ULTRA-FLEX CABLE

MODEL	2540-5XX-*	2540-7XX-*	2540-4XX-*
CABLE GROUP	23, 24, 26, 29	23, 24, 26, 29	30, 31
NOTES	clamp type for flexible cable	crimp type for flexible cable	solder-clamp for semi-rigid and Ultra-Flex cable

*-1 indicates gold plating, -4 indicates silver plating, -7 indicates nickel plating.