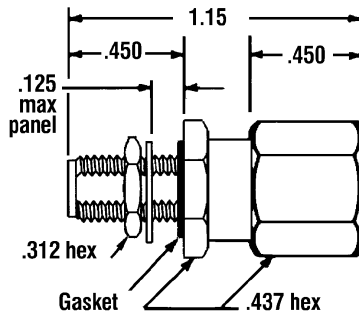


### BULKHEAD JACK

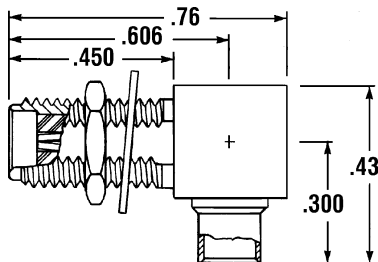


### FOR SEMI-RIGID OR ULTRA-FLEX CABLE

| MODEL | 3928-1A-*                                 | 3928-2A-*                                 | 3147-*              | 3147B-*              |
|-------|---|---|---------------------|----------------------|
| CABLE | RG402, M17/130 .141                       | RG405, M17/133 .085                       | RG401, M17/129 .250 | .325                 |
| NOTES | drawing not shown solder clamp attachment | drawing not shown solder clamp attachment | as shown            | clamp nut is .50 hex |
|       | compression clamp                         |   |                     |                      |

Connectors for 3 and 5 spline .250 diameter cable are available. Consult Coaxicom.

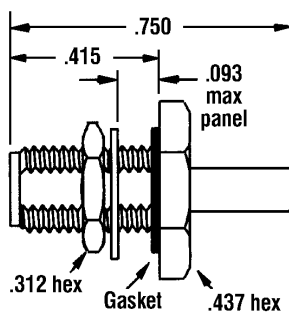
### RIGHT ANGLE BULKHEAD JACK



### FOR SEMI-RIGID OR ULTRA-FLEX CABLE

| MODEL | 3222-1A-*                | 3222-2A-*                | 3222-3A-*                |
|-------|--------------------------|--------------------------|--------------------------|
| CABLE | RG402, M17/130 .141      | RG405, M17/133 .085      | M17/151 .047             |
| NOTES | direct solder attachment | direct solder attachment | direct solder attachment |

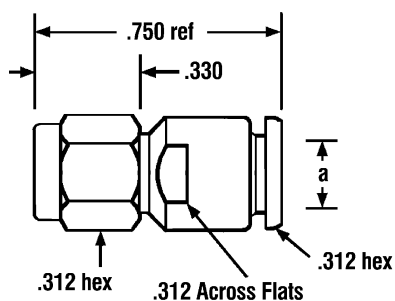
### BULKHEAD JACK



### FOR SEMI-RIGID OR ULTRA-FLEX CABLE

| MODEL | 3210-1-1            | 3210-2-1            | 3210-3-1       | 3210A-1-1                         | 3210A-2-1                         | 3210A-3-1                         |
|-------|---------------------|---------------------|----------------|-----------------------------------|-----------------------------------|-----------------------------------|
| CABLE | RG402, M17/130 .141 | RG405, M17/133 .085 | M17/151 .047   | RG402, M17/130 .141               | RG405, M17/133 .085               | M17/151 .047                      |
| NOTES | solder to body      | solder to body      | solder to body | .312 hex no gasket solder to body | .312 hex no gasket solder to body | .312 hex no gasket solder to body |

### STRAIGHT PLUG



### FOR FLEXIBLE CABLE

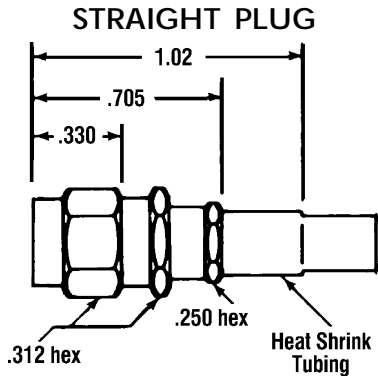
| MODEL | 3917-1-*                                 | 3917-3-*                          | 3917-4-*    | 3917-5-*    | 3917-29-*      |
|-------|--|-----------------------------------|-------------|-------------|----------------|
| CABLE | RG55, 58, 141, 142, 223, 303, 400 LMR195 | RG174, 179, 187, 188, 316 LMR100A | RG180, 195  | RG178, 196  | RG188DS, 316DS |
| a =   | .220                                     | .116                              | .160        | .080        | .116           |
| NOTES | wedge clamp                              | wedge clamp                       | wedge clamp | wedge clamp | wedge clamp    |

\* -1 indicates gold plated stainless steel all over.

-9 indicates passivated (stainless finish) except in areas where gold plating is required for solderability.

SEE SPECIFICATION SHEET FOR MOUNTING HOLE SIZE.

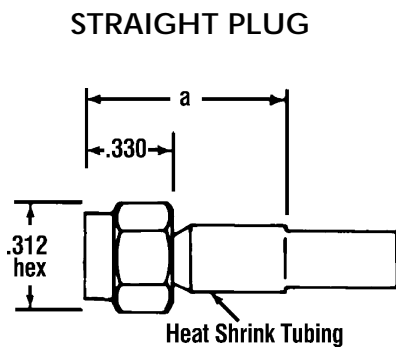
# SMA COAXIAL CONNECTORS



## FOR FLEXIBLE CABLE

| MODEL | 3601-1-*                    | 3601-2-*       | 3601-3-*                           | 3601-4-*     | 3601-5-*    |
|-------|-----------------------------|----------------|------------------------------------|--------------|-------------|
| CABLE | RG55, 142, 223, 400, LMR195 | RG58, 141, 303 | RG174, 179, 187, 188, 316, LMR100A | RG180/U, 195 | RG178, 196  |
| NOTES | crimp/clamp                 | crimp/clamp    | crimp/clamp                        | crimp/clamp  | crimp/clamp |

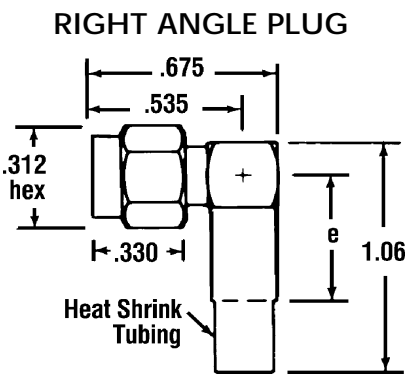
CAPTIVE CONTACT



## FOR FLEXIBLE CABLE

| MODEL | 3089-1-*                    | 3089-2-*       | 3089-3-*                           | 3089-4-*   | 3089-5-*   | 3089-28-* | 3089-29-*             |
|-------|-----------------------------|----------------|------------------------------------|------------|------------|-----------|-----------------------|
| CABLE | RG55, 142, 223, 400, LMR195 | RG58, 141, 303 | RG174, 179, 187, 188, 316, LMR100A | RG180, 195 | RG178, 196 | RG59, 62  | RG174DS, 188DS, 316DS |
| a =   | .810                        | .810           | .690                               | .690       | .690       | .690      | .690                  |
| NOTES | crimp or solder             |                |                                    |            |            |           |                       |

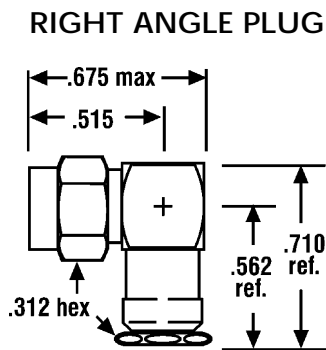
NOTE: For crimp version (passivated only) add suffix "C"



## FOR FLEXIBLE CABLE

| MODEL | 3090-1-*                    | 3090-2-*        | 3090-3-*                           | 3090-4-*        | 3090-5-*        | 3090-29-*             |
|-------|-----------------------------|-----------------|------------------------------------|-----------------|-----------------|-----------------------|
| CABLE | RG55, 142, 223, 400, LMR195 | RG58, 141, 303  | RG174, 179, 187, 188, 316, LMR100A | RG180, 195      | RG178, 196      | RG174DS, 188DS, 316DS |
| e =   | .605                        | .605            | .440                               | .440            | .440            | .475                  |
| NOTES | crimp or solder             | crimp or solder | crimp or solder                    | crimp or solder | crimp or solder | crimp or solder       |

NOTE: For crimp version (passivated only) add suffix "C"

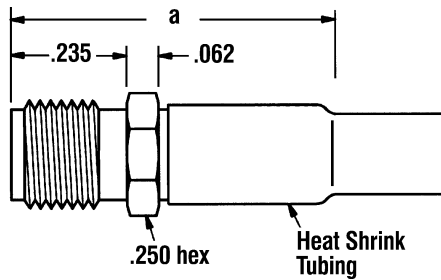


## FOR FLEXIBLE CABLE

| MODEL | 3911A-1-*                                 | 3911A-3-*                          | 3911A-4-*  | 3911-9         |
|-------|---|------------------------------------|------------|----------------|
| CABLE | RG55, 58, 141, 142, 223, 303, 400, LMR195 | RG174, 179, 187, 188, 316, LMR100A | RG180, 195 | RG188DS, 316DS |
| NOTES | clamp type                                | clamp type                         | clamp type | clamp type     |

\* -1 indicates gold plated stainless steel all over. For Reverse Polarized, add RP to part number. For Reverse Threaded, add RT to Part number. Parts are brass in both cases.  
 -9 indicates passivated (stainless finish) except in areas where gold plating is required for solderability.

### STRAIGHT JACK

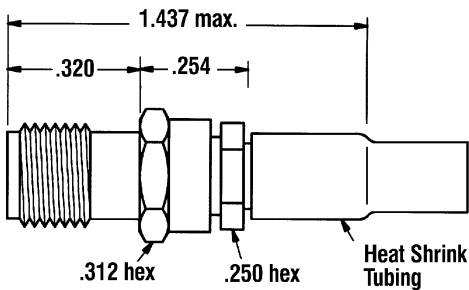


### FOR FLEXIBLE CABLE

| MODEL | 3091-1-*                    | 3091-2-*        | 3091-3-*                           | 3091-4-*        | 3091-5-*        |
|-------|-----------------------------|-----------------|------------------------------------|-----------------|-----------------|
| CABLE | RG55, 142, 223, 400, LMR195 | RG58, 141, 303  | RG174, 179, 187, 188, 316, LMR100A | RG180, 195      | RG178, 196      |
| a =   | .830                        | .830            | .700                               | .800            | .800            |
| NOTES | crimp or solder             | crimp or solder | crimp or solder                    | crimp or solder | crimp or solder |

NOTE: For crimp version (passivated only) add suffix "C"

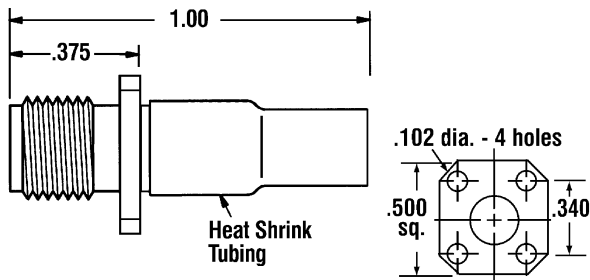
### STRAIGHT JACK



### FOR FLEXIBLE CABLE

| MODEL | 3602-1-*                    | 3602-2-*       | 3602-3-*                           | 3602-4-*    | 3602-5-*    |
|-------|-----------------------------|----------------|------------------------------------|-------------|-------------|
| CABLE | RG55, 142, 223, 400, LMR195 | RG58, 141, 303 | RG174, 179, 187, 188, 316, LMR100A | RG180, 195  | RG178, 196  |
| NOTES | crimp/clamp                 | crimp/clamp    | crimp/clamp                        | crimp/clamp | crimp/clamp |

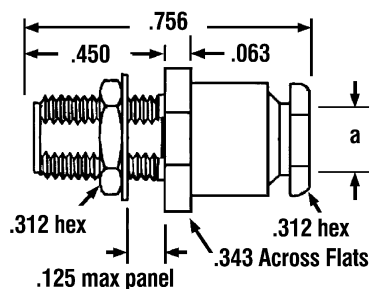
### FLANGE MOUNT JACK



### FOR FLEXIBLE CABLE

| MODEL  | 3146-1-1                    | 3146-2-1        | 3146-3-1                           |
|--------|-----------------------------|-----------------|------------------------------------|
| FLANGE | 4 hole                      | 4 hole          | 4 hole                             |
| CABLE  | RG55, 142, 223, 400, LMR195 | RG58, 141, 303  | RG174, 179, 187, 188, 316, LMR100A |
| NOTES  | crimp or solder             | crimp or solder | crimp or solder                    |

### BULKHEAD JACK



### FOR FLEXIBLE CABLE

| MODEL | 3905-1-*                    | 3905-2-*       | 3905-3-*                           | 3905-4-*    | 3905-5-*    | 3905-29-*                 |
|-------|-----------------------------|----------------|------------------------------------|-------------|-------------|---------------------------|
| CABLE | RG55, 142, 223, 400, LMR195 | RG58, 141, 303 | RG174, 179, 187, 188, 316, LMR100A | RG180, 195  | RG178, 196, | RG174DS, RG188DS, RG316DS |
| a =   | .220                        | .220           | .115                               | .160        | .085        | .140                      |
| NOTES | wedge clamp                 | wedge clamp    | wedge clamp                        | wedge clamp | wedge clamp | wedge clamp               |

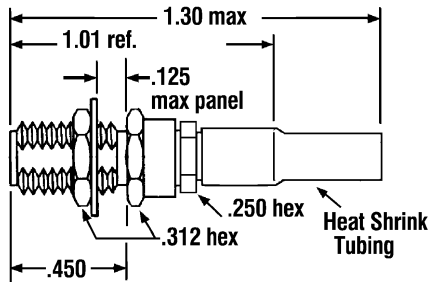
\*-1 indicates gold plated stainless steel all over.

-9 indicates passivated (stainless finish) except in areas where gold plating is required for solderability.

# SMA COAXIAL CONNECTORS



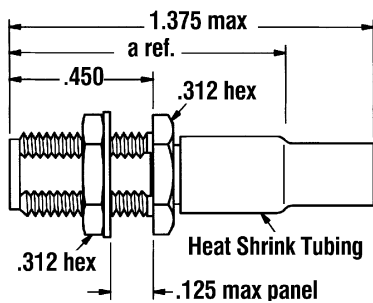
## BULKHEAD JACK



## FOR FLEXIBLE CABLE

| MODEL | 3610-1-*                    | 3610-2-*                    | 3610-3-*                           | 3610-4-*                    | 3610-5-*                    | 3610-29-*                   |
|-------|-----------------------------|-----------------------------|------------------------------------|-----------------------------|-----------------------------|-----------------------------|
| CABLE | RG55, 142, 223, 400, LMR195 | RG58, 141, 303              | RG174, 179, 187, 188, 316, LMR100A | RG180, 195                  | RG178, 196                  | RG174DS, RG188DS, RG316DS   |
| NOTES | captive contact crimp/clamp | captive contact crimp/clamp | captive contact crimp/clamp        | captive contact crimp/clamp | captive contact crimp/clamp | captive contact crimp/clamp |

## BULKHEAD JACK

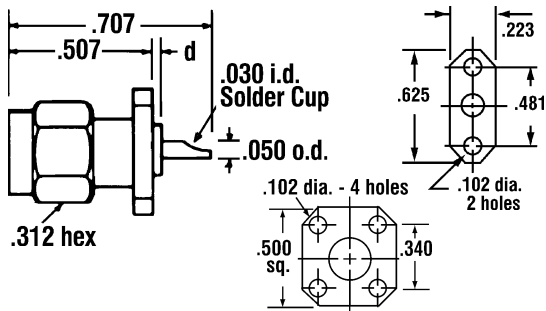


## FOR FLEXIBLE CABLE

| MODEL | 3088-1-*                            | 3088-2-*                            | 3088-3-*                            | 3088-4-*                            | 3088-5-*                            |
|-------|-------------------------------------|-------------------------------------|-------------------------------------|-------------------------------------|-------------------------------------|
| CABLE | RG55, 142, 223, 400, LMR195         | RG58, 141, 303                      | RG174, 179, 187, 188, 316, LMR100A  | RG180, 195                          | RG178, 196                          |
| a =   | .945                                | .945                                | .825                                | .945                                | .945                                |
| NOTES | non-captive contact crimp or solder | non-captive contact crimp or solder | non-captive contact crimp or solder | non-captive contact crimp or solder | non-captive contact crimp or solder |

NOTE: For crimp version (passivated only) add suffix "C"

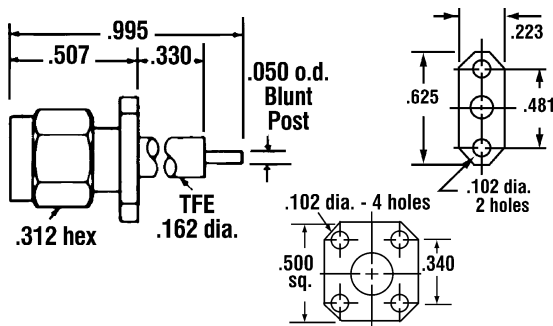
## FLANGE MOUNT PLUG



## RECEPTACLE

| MODEL  | 3111-1-*                                       | 3111-2-*                                    | 3112-1-*                                       | 3112-2-*                                    |
|--------|--|---|--|---|
| FLANGE | 4 hole   | 4 hole                                      | 2 hole   | 2 hole                                      |
| d =    | 0.0  | .025  | 0.0  | .025  |
| NOTES  | captive contact without exposed TFE solder cup | captive contact with exposed TFE solder cup | captive contact without exposed TFE solder cup | captive contact with exposed TFE solder cup |

## FLANGE MOUNT PLUG



## RECEPTACLE

| MODEL  | 3214CC-*                   | 3214-*                         | 3117CC-*                   | 3117-*                         |
|--------|----------------------------|--------------------------------|----------------------------|--------------------------------|
| FLANGE | 4 hole                     | 4 hole                         | 2 hole                     | 2 hole                         |
| NOTES  | captive contact blunt post | non-captive contact blunt post | captive contact blunt post | non-captive contact blunt post |

Add "M" to part no. for .010 O.D. post and .085 DIA. TFE (Example: 3214MCC-\*)

\*-1 indicates gold plated stainless steel all over.

-9 indicates passivated (stainless finish) except in areas where gold plating is required for solderability.