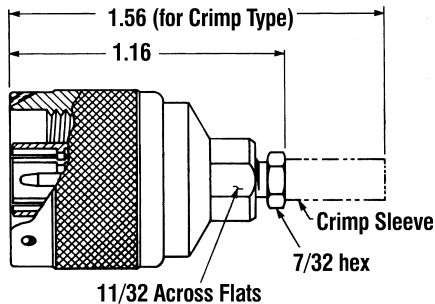


STRAIGHT PLUG



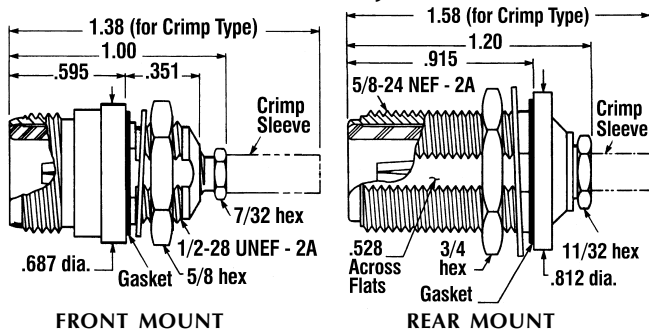
FOR FLEXIBLE, SEMI-RIGID OR ULTRA-FLEX CABLE

MODEL	5461-5XX-*	5461-7XX-*	5461-4XX-*
NOTES	clamp type for flexible cable	crimp type for flexible cable	solder clamp for semi-rigid or Ultra-Flex cable

Precision stainless steel 18 GHz direct solder plug available for semi-rigid and Ultra-Flex cables:

Cable Group 30 (.141 dia.): 5016X-*.
 Cable Group 31 (.085 dia.): 5017X-*.
 Cable Group 48A (.250 dia.): 5015X-*.
 Cable Group 48B (.325 dia.): 5019X-*.

BULKHEAD JACK



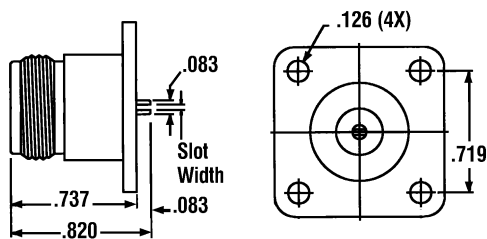
FOR FLEXIBLE, SEMI-RIGID OR ULTRA-FLEX CABLE

FRONT MOUNT (HOLE A)	MODEL	5552-5XX-*	5552-7XX-*	5552-4XX-*
	NOTES	clamp type for flexible cable	crimp type for flexible cable	solder clamp for semi-rigid or Ultra-Flex cable
REAR MOUNT (HOLE B)	MODEL	5570-5XX-*	5570-7XX-*	5570-4XX-*
	NOTES	clamp type for flexible cable	crimp type for flexible cable	solder clamp for semi-rigid or Ultra-Flex cable

Precision stainless steel 18 GHz direct solder jack available for semi-rigid and Ultra-Flex cables:

Cable Group 30 (.141 dia.): 5021X-*. Cable Group 31 (.085 dia.): 5022X-*.
 Cable Group 48A (.250 dia.): 5023X-*. Cable Group 48B (.325 dia.): 5024X-*.

PANEL RECEPTACLE SLOT AND TAB INTERFACE

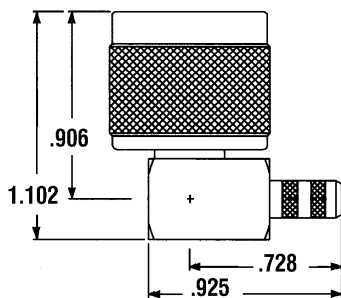


AVAILABLE AS JACKS AND PLUGS

MODEL	5919CC-XX -7	5923CC-XX -7
NOTES	Jack (shown)**: slot or tab width. Insert code	Plug (not shown)**: slot or tab width. Insert code.

XX: 12 = .012 slot; 20 = .020 slot; 28 = .028 slot; 36 = .036 slot; TB = .065 tab.
 Other tab and slot widths available. Contact factory.

RIGHT ANGLE CABLE PLUG



FOR FLEXIBLE, SEMI-RIGID OR ULTRA-FLEX CABLE

MODEL	5090-XX-*	5221-XX-*
NOTES	crimp type for flexible cable (shown)	Direct solder for semi-rigid and Ultra-Flex cable (not shown)

Clamp type also available for flexible cables.

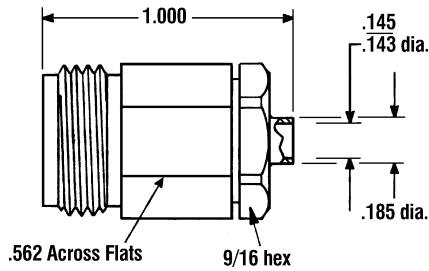
XX SEE NOTE ON SPECIFICATION SHEET FOR CABLE GROUPS, MATERIAL, AND MOUNTING HOLE SIZE

* 1 indicates gold plating, -7 indicates nickel plating -9 Passivated stainless steel.
 For Reverse Polarized add "RP" to part number.

TYPE N COAXIAL CONNECTORS AND INTRA SERIES ADAPTERS



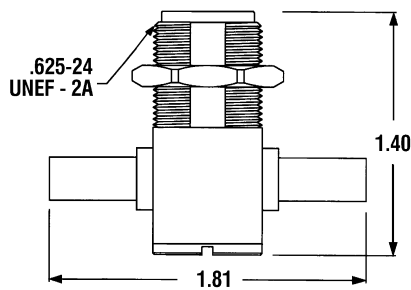
STRAIGHT JACK



FOR FLEXIBLE, SEMI-RIGID OR ULTRA-FLEX CABLE

MODEL	5026-XX-*	5018-9
NOTES	crimp type for flexible cable (not shown)	direct solder for .141 (RG402) semi-rigid and Ultra-Flex cable (shown)

BULKHEAD JACK, TEE



FOR FLEXIBLE, SEMI-RIGID OR ULTRA-FLEX CABLE

MODEL	5888-22A-*	5889-30-*
NOTES	crimp type for flexible cable: A = 1.81, B = 1.40 Maximum Panel Thickness = .060 Mounting Hole B	direct solder for .141 (RG402) semi-rigid and Ultra-Flex (not shown) A = 0.81, B = 1.41 Maximum Panel Thickness = .060 Mounting Hole B

FREQUENCY DC-18 GHz		PRECISION N INTRA SERIES ADAPTERS		VSWR 1.25 MAX.	
5000-9	5004-9	5006-9	5003-9		
RADIUS RIGHT ANGLE MALE TO FEMALE	FEMALE TO FEMALE	MALE TO MALE	MALE TO FEMALE		
For Male to Male, use 5913-9	For 11 GHz use, add "A" to part #	For 11 GHz use, add "A" to part #	For 11 GHz use, add "A" to part #		

PRECISION ADAPTERS		STANDARD (11 GHz)	
5004B-9	5002-*	5085-*	5219-*
BULKHEAD FEMALE TO FEMALE	FEMALE TO FEMALE	MALE TO MALE RIGHT ANGLE	MALE TO FEMALE RIGHT ANGLE
Mounting Hole B For 11 GHz use, add "A" to part #	For 11 GHz use, add "A" to part # (4 PL) .130 / .125		

XX SEE NOTE ON SPECIFICATION SHEET FOR CABLE GROUPS, MATERIAL, AND MOUNTING HOLE SIZE
 * 1 indicates gold plating, -7 indicates nickel plating -9 Passivated stainless steel
 Additional adapters not shown are normally available from stock. Contact Coaxicom.