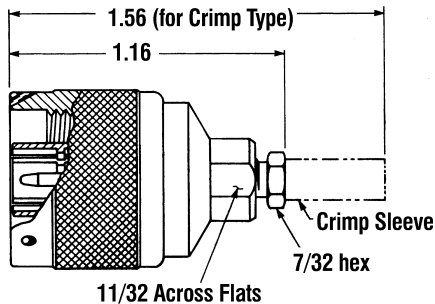


STRAIGHT PLUG



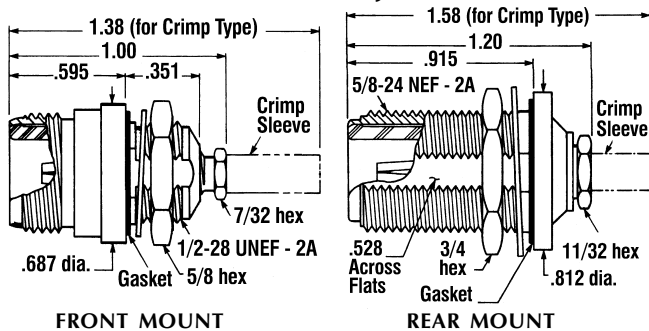
FOR FLEXIBLE, SEMI-RIGID OR ULTRA-FLEX CABLE

MODEL	5461-5XX-*	5461-7XX-*	5461-4XX-*
NOTES	clamp type for flexible cable	crimp type for flexible cable	solder clamp for semi-rigid or Ultra-Flex cable

Precision stainless steel 18 GHz direct solder plug available for semi-rigid and Ultra-Flex cables:

Cable Group 30 (.141 dia.): 5016X-*.
 Cable Group 31 (.085 dia.): 5017X-*.
 Cable Group 48A (.250 dia.): 5015X-*.
 Cable Group 48B (.325 dia.): 5019X-*.

BULKHEAD JACK



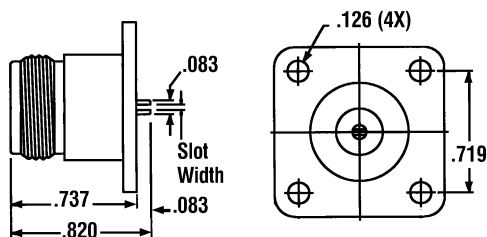
FOR FLEXIBLE, SEMI-RIGID OR ULTRA-FLEX CABLE

FRONT MOUNT (HOLE A)	MODEL	5552-5XX-*	5552-7XX-*	5552-4XX-*
	NOTES	clamp type for flexible cable	crimp type for flexible cable	solder clamp for semi-rigid or Ultra-Flex cable
REAR MOUNT (HOLE B)	MODEL	5570-5XX-*	5570-7XX-*	5570-4XX-*
	NOTES	clamp type for flexible cable	crimp type for flexible cable	solder clamp for semi-rigid or Ultra-Flex cable

Precision stainless steel 18 GHz direct solder jack available for semi-rigid and Ultra-Flex cables:

Cable Group 30 (.141 dia.): 5021X-*. Cable Group 31 (.085 dia.): 5022X-*.
 Cable Group 48A (.250 dia.): 5023X-*. Cable Group 48B (.325 dia.): 5024X-*.

PANEL RECEPTACLE SLOT AND TAB INTERFACE

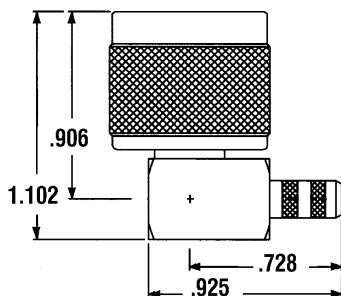


AVAILABLE AS JACKS AND PLUGS

MODEL	5919CC-XX -7	5923CC-XX -7
NOTES	Jack (shown)**: slot or tab width. Insert code	Plug (not shown)**: slot or tab width. Insert code.

XX: 12 = .012 slot; 20 = .020 slot; 28 = .028 slot; 36 = .036 slot; TB = .065 tab.
 Other tab and slot widths available. Contact factory.

RIGHT ANGLE CABLE PLUG



FOR FLEXIBLE, SEMI-RIGID OR ULTRA-FLEX CABLE

MODEL	5090-XX-*	5221-XX-*
NOTES	crimp type for flexible cable (shown)	Direct solder for semi-rigid and Ultra-Flex cable (not shown)

Clamp type also available for flexible cables.

XX SEE NOTE ON SPECIFICATION SHEET FOR CABLE GROUPS, MATERIAL, AND MOUNTING HOLE SIZE

* 1 indicates gold plating, -7 indicates nickel plating -9 Passivated stainless steel.
 For Reverse Polarized add "RP" to part number.