

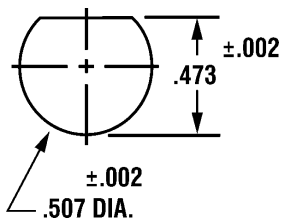
COAXICOM's TNC CONNECTORS are medium size, 50 Ω impedance connectors with a 7/16-28 threaded coupling. The industry standard TNC series operates to 11 GHz, but COAXICOM also features precision connectors and adapters to 15 GHz, and the TNC type A interface that operates to 18 GHz. TNC connectors have wide application in rack-and-panel systems, and to provide interconnections between subsystems. When properly mated, COAXICOM TNC connectors provide a weather proof interface. Many are available in reverse polarized, and reverse threaded configurations. Contact factory for availability.

COAXICOM'S catalog TNC connectors are available as plugs and jacks for the common RG flexible and semirigid cables, as well as for the Times LMR family of low loss communication band cables. Panel and bulkhead mount receptacles are available, as well as intra-series adapters including isolated bulkhead feed throughs. A full complement of between series adapters is also standard.

75 Ω TNC connectors are also available from COAXICOM. They operate to 1 GHz, with a VSWR of 1.15:1 maximum. All 75 Ω and 50 Ω TNC connectors are intermateable without restrictions.

**Contact factory for connectors and/or cable groups not shown.**

### RECOMMENDED BULKHEAD MOUNTING HOLE SIZE



### MATERIAL

Body, Metal Parts (Except as Noted)	Brass ASTM-B-16
Female Contacts	Beryllium Copper ASTM-B-196
Insulators	TFE per ASTM-D-1457
Gaskets	Silicon Rubber per ZZ-R-765
Ferrules	Brass 1/2 Hard, QQ-B-626

### MILITARY SPECIFICATIONS

MIL-PRF-39012, MIL-A-55339, MIL-C-83517 and MIL-STD-348 as applicable.
--

### ELECTRICAL

Frequency Range	50 Ω: DC To 11 GHz (15, 18 GHz also available) 75 Ω: DC To 1.0 GHz
Nominal Impedance	50 Ω, 75 Ω
VSWR (Max.)	1.3:1 (1.35:1 Right Angle Conn.)
Insertion Loss (50 Ω)	0.15 dB max. @ 10 GHz
RF Leakage (50 Ω)	-60 dB min. @ 3 GHz
Dielectric With-standing Voltage	1500 VRMS
Insulation Resistance	5000 Megohms minimum
Voltage Rating	500 VRMS
Center Contact Resistance	1.5 Milliohms maximum

### MECHANICAL

Force to Engage/Disengage	2 in-lbs. max.
Coupling Proof Torque	15 in-lbs.
Coupling Nut Retention	100 lbs. min.
Durability	500 cycles min.
Recommended Mating Torque	4.1 to 6.1 in-lbs.
Coupling Mechanism	7/16-28 thread, IAW MIL-STD-348

### ENVIRONMENTAL (IAW MIL-STD-202)

Temperature Range	-65° C to + 165° C
Vibration	Method 204, T.C. B
Shock	Method 213, T.C. I
Thermal Shock	Method 107, T.C. B
Corrosion (Salt Spray)	Method 101, T.C. B
Moisture Resistance	Method 106
Seal (Panel, Barrier Seal Conn.)	No Leakage @ 50 PSI

T.C. = Test condition

### FINISH

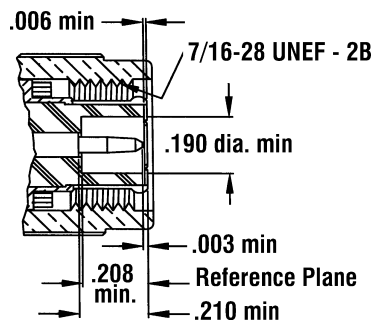
Center Contacts are gold plated per MIL-PRF-39012, IAW MIL-G-35204. All other metal parts finished to meet MIL-PRF-39012 corrosion requirements.

### CABLE GROUPS

21B	LMR400, BELDEN 9913, 7810A, 8214	28	28A	RG59, 62, 210, TROMPETER TCC-75-2
21C	LMR500	29		RG174DS, 188DS, 316DS
22	22A RG55A, 142, 223, 400, M17/158	30		.141 SR, RG402, ULTRA-FLEX
	22B RG55, 55B, 142B, LMR195	31		.085 SR, RG405, ULTRA-FLEX
	22E LMR200, BELDEN 7807A		32B	RG11, 11A, M17/6-RG11
23	RG178, 196, 404, M17/93		33A	RG7, 9, 63, 87, 214
	24		33C	RG225, 393, TIMES AA-2306
	24A RG174, 188A, 316, LMR100, M17/172, LMR100A	43		RG115A, M17/168, RG235, BELDEN 8281, 9231, 9141, WE 724
	24B RG161, 179, 187, M17/97, 136		48A	RG401, .250 SEMI-RIGID, ULTRA-FLEX
	24D RG179/U DS		48C	.325 SEMI-RIGID
25	25B RG180, 195, 303, M17/95, 111			
27	27A RG58, 141, M17/28, 155, 170			
	27C RG-8X, LMR240, BELDEN 9258			

### TNC INTERFACE DIMENSIONS

#### Plug



#### Jack

