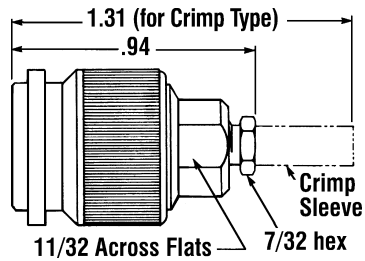


TNC CABLE CONNECTORS



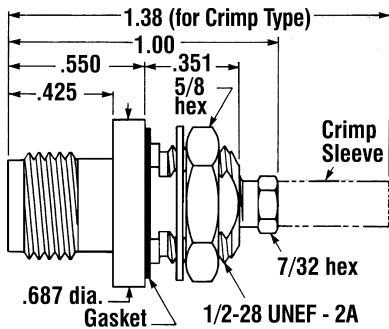
STRAIGHT PLUG



FOR FLEXIBLE, SEMI-RIGID OR ULTRA-FLEX CABLE

MODEL	4547-5XX-*	4547-7XX-*	4547-4XX-*
NOTES	clamp type for flexible cable	crimp type for flexible cable	solder clamp for semi-rigid and Ultra-Flex cable

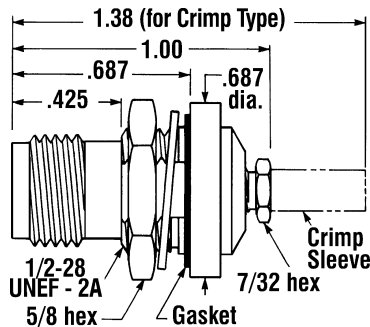
BULKHEAD JACK FRONT MOUNT



FOR FLEXIBLE, SEMI-RIGID OR ULTRA-FLEX CABLE

MODEL	4577-5XX-*	4577-7XX-*	4577-4XX-*
NOTES	clamp type for flexible cable	crimp type for flexible cable	solder clamp for semi-rigid and Ultra-Flex cable

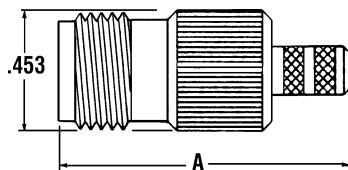
BULKHEAD JACK REAR MOUNT



FOR FLEXIBLE, SEMI-RIGID OR ULTRA-FLEX CABLE

MODEL	4539-5XX-*	4539-7XX-*	4539-4XX-*
NOTES	clamp type for flexible cable	crimp type for flexible cable	solder clamp for semi-rigid and Ultra-Flex cable

STRAIGHT JACK



FOR FLEXIBLE, SEMI-RIGID OR ULTRA-FLEX CABLE

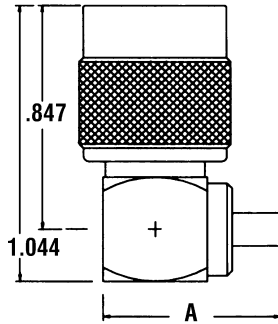
MODEL	4091-XX-*	4202-XX-*
NOTES	crimp type for flexible cable	direct solder for semi-rigid and Ultra-Flex cable
DIM.	A = 1.14	A = 1.06

Clamp style also available. Consult factory.

SEE SPECIFICATION SHEET FOR PERFORMANCE, MATERIAL AND MOUNTING HOLE SIZE.

- * -1 indicates gold plating, -7 indicates nickel plating, -4 indicates silver plating.
- 9 indicates passivated (stainless finish) except in areas where gold plating is required for solderability.

RIGHT ANGLE PLUG

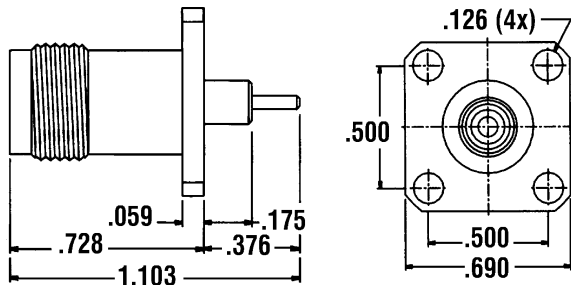


FOR FLEXIBLE, SEMI-RIGID OR ULTRA-FLEX CABLE

MODEL	4090-XX-*	4221-XX-*
NOTES	crimp type for flexible cable	direct solder for semi-rigid and Ultra-Flex cable
DIM.	A = .863	A = 0.67

Clamp style also available. Consult factory.

FLANGE MOUNT JACK



RECEPTACLE

MODEL	4204-*	4204S-*
NOTES	.690 flange blunt post (shown)	.500 flange mtg. holes (4 pl.): .102 dia. on .34 centers blunt post (not shown)

Consult factory for other teflon lengths or contact types.

FREQUENCY DC-15 GHz

TNC PRECISION INTRA SERIES ADAPTERS

VSWR 1.15 MAX

4000-9	4004-9	4006-9	4003-9
RADIUS RIGHT ANGLE MALE TO FEMALE .042 dia. (3) Lockwire Holes	FEMALE TO FEMALE 7/16 hex	MALE TO MALE 7/16 hex 9/16 hex (typ)	MALE TO FEMALE 7/16 hex 9/16 hex

FREQUENCY DC-15GHz

TNC STANDARD INTRA SERIES ADAPTERS

VSWR=1.25 MAX

4208A-*	4209A-*	4087-*	4219-*
FEMALE TO FEMALE HERMETIC BULKHEAD Non-hermetic version: 4209A-*	FEMALE TO FEMALE BULKHEAD Also available with isolated ground: 4209A-*-I (11 GHz) (Max. panel = .177)	FEMALE TO MALE TO FEMALE .042 dia. (3) Lockwire Holes	RIGHT ANGLE MALE TO FEMALE .847 Ref. 1.076 Ref. .867

SEE SPECIFICATION SHEET FOR PERFORMANCE, MATERIAL AND MOUNTING HOLE SIZE.

* -1 indicates gold plating, -7 indicates nickel plating, -4 indicates silver plating,
-9 indicates passivated (stainless finish) except in areas where gold plating is required for solderability.
Additional adapters not shown are normally available from stock. Contact Coaxicom. For Reverse Polarized and "RP" to part number.