

# 7/16 DIN CONNECTORS



COAXICOM 7/16 DIN CONNECTORS are intended as replacements for N connectors in high power, low intermodulation applications, particularly communications systems. Larger and more rugged than N connectors, they employ M29 X 1.5 metric screw type couplings and have a peak voltage rating of 2,700 VRMS. They will operate up to 7.5 GHz, have a nominal characteristic impedance of 50Ω and are weatherproof. Inner and outer conductors are silver plated to minimize intermodulation distortion. Our 7/16 DIN connectors also feature phosphor bronze female contacts for lower contact resistance and better repeatability.

The 014038-XX-4 and the 014039-XX-4 are unique connector that can be assembled as a straight or right angle plug, reducing inventory and simplifying logistics. This is accomplished by a backnut that screws into the connector body from either the side or the back.

Not all 7/16 connectors are available for all cable groups. This is because the series is specifically designed for very low and repeatable intermodulation distortion, which is largely dependent on the mechanical integrity of the fit between the connector components and the cable. This also leads to individual cases where a connector will fit most but not all of the cables within a cable group. Consult factory for specific applications.

### ELECTRICAL

Impedance	50 Ohm
Frequency Range	7.5 GHz maximum
Operating Voltage	2,700 VRMS maximum
Dielectric Withstanding Voltage	4,000 VRMS maximum
Insulation Resistance	10,000 MegOhms min.

### MATERIAL

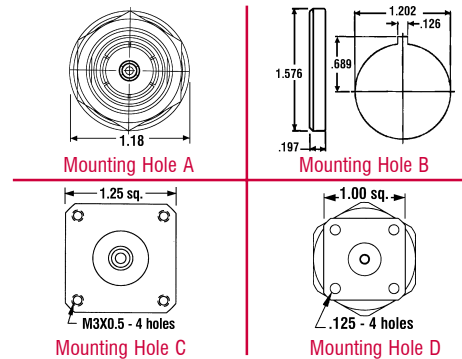
Female Contacts	Phosphor bronze per ASTM-B-139, Alloy B2
Other Metal Parts	Brass per ASTM-B-16
Dielectrics	TFE fluorocarbon per ASTM-D-1710
Gaskets	Silicone rubber per ZZ-R-765, class II, grade 50

### CABLE GROUPS

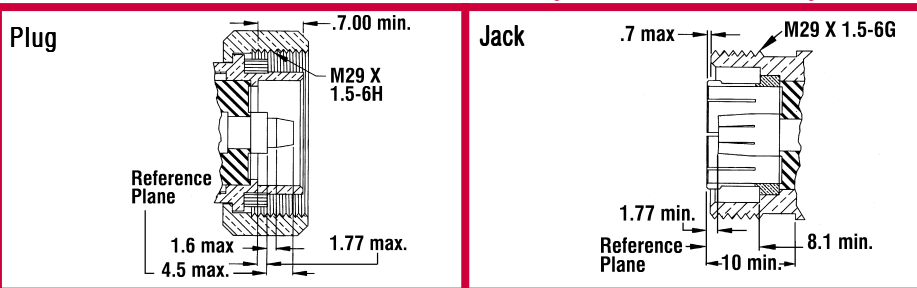
21B		LMR400, LMR400 UF, BELDEN 9913, 7810A, 8214
21C		LMR500
21D		LMR600, LMR600 UF
22	22A	RG55A, 142, 142A, 223, 400, SB400
	22E	LMR200, BELDEN 7807A, COMMSCOPE BWC-200
27	27A	RG58, 58A, 58C, 141, 141A
	27C	RG-8X, LMR240, BELDEN 9258
30		.141 SEMI-RIGID, RG402, ULTRA-FLEX
31		.085 SEMI-RIGID, RG405, ULTRA-FLEX
32	32B	RG11, 11A, M17/6-RG11
	32C	RG8, 9, 87, 213
33	33C	RG225, 393
48A		.250 SEMI-RIGID, ULTRA-FLEX

### MOUNTING HOLES/FLANGE DIM.

CONNECTOR PART #	FLANGE/MTG HOLE DESC.	MTG. HOLE
014210-**-4	1.18" DIA/1.01 ACROSS D	A
014088-**-4	KEYED 1.2" DIA. CIRCLE	B
014146-**-1	1.25" SQ. FLANGE, .98" C TO C THRU HOLES, .142" DIA.	C
014215-4	1.00" SQ. FLANGE, .72 C TO C THRU HOLES, .125 DIA.	D
014244-4	SAME AS ABOVE, BUT MTG HOLES ARE TAPPED M3X0.5	C



### 7/16 INTERFACE DIMENSIONS



### MECHANICAL

Interface Dimensions: Per IEC 169-4

### FINISH

**Center Contacts:** Silver per QQ-S-365 or Albaloy.  
**Other Metal Parts:** Silver per QQ-S-365 or Albaloy.

014917-XX-4	014089-XX-4	014917F-XX-4	014091-XX-4
STRAIGHT CABLE PLUG	STRAIGHT CABLE PLUG	STRAIGHT CABLE JACK	STRAIGHT CABLE JACK
Clamp Type	Crimp Type for Flexible Cable Solder Type for Cable Groups 30, 31 & 48A	Clamp Type	Crimp Type for Flexible Cable Solder Type for Cable Groups 30, 31 & 48A