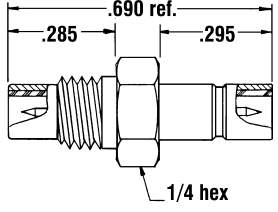
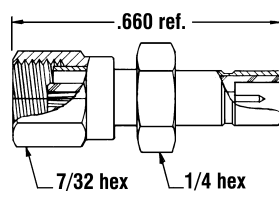
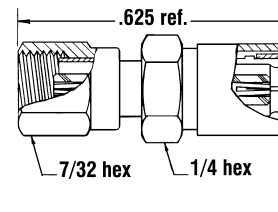
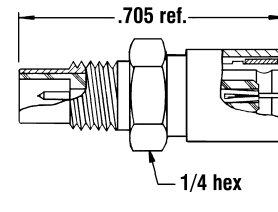
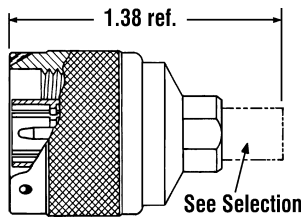
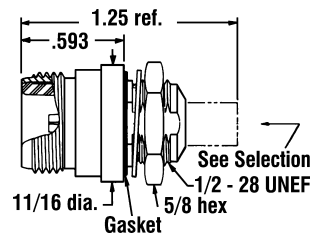
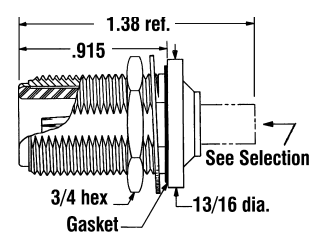
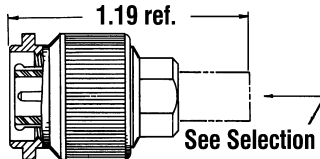
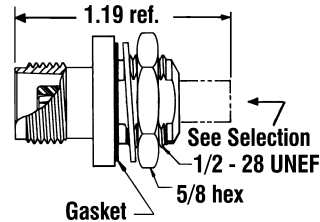
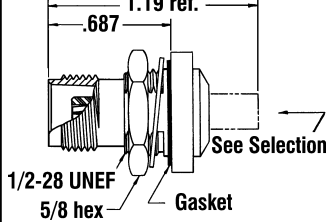
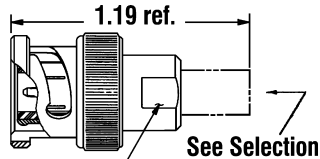
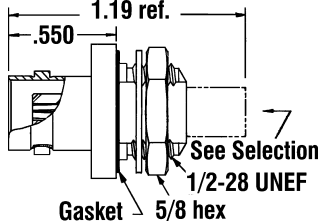
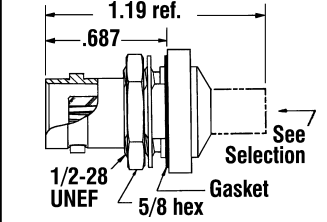


INTER SERIES ADAPTERS BNC, N, TNC, SMB, SMC (50 Ω), & 75 Ω SCREW-ON & SNAP-ON

SMB TO SMC			
6000-*	6001-*	6002-*	6003-*
SMB MALE JACK TO SMC MALE JACK	SMB MALE JACK TO SMC FEMALE PLUG	SMB FEMALE PLUG TO SMC FEMALE PLUG	SMB FEMALE PLUG TO SMC MALE JACK
			

N TO SMB, SMC (50 Ω), AND 75 Ω SCREW-ON & SNAP-ON				
To	Suffix	5529-*()	5530-*()	5556-*()
SMC Male Jack	- 1	N PLUG 	N BULKHEAD JACK FRONT MOUNT 	N BULKHEAD PLUG REAR MOUNT 
SMC Female Plug	- 2			
SMB Male Jack	- 3			
SMB Female Plug	- 4			
75 Ω Screw-On Male Jack	- 5			
75 Ω Screw-On Female Plug	- 6			
75 Ω Snap-On Male Jack	- 7 †			
75 Ω Snap-On Female Plug	- 8 †			

TNC TO SMB, SMC (50 Ω), AND 75 Ω SCREW-ON & SNAP-ON				
To	Suffix	4574-*()	4533-*()	4564-*()
SMC Male Jack	- 1	TNC PLUG 	TNC BULKHEAD JACK FRONT MOUNT 	TNC BULKHEAD JACK REAR MOUNT 
SMC Female Plug	- 2			
SMB Male Jack	- 3			
SMB Female Plug	- 4			
75 Ω Screw-On Male Jack	- 5			
75 Ω Screw-On Female Plug	- 6			
75 Ω Snap-On Male Jack	- 7 †			
75 Ω Snap-On Female Plug	- 8 †			

BNC TO SMB, SMC (50 Ω), AND 75 Ω SCREW-ON & SNAP-ON				
To	Suffix	2524-*()	2525-*()	2571-*()
SMC Male Jack	- 1	BNC PLUG 	BNC BULKHEAD JACK FRONT MOUNT 	BNC BULKHEAD JACK REAR MOUNT 
SMC Female Plug	- 2			
SMB Male Jack	- 3			
SMB Female Plug	- 4			
75 Ω Screw-On Male Jack	- 5			
75 Ω Screw-On Female Plug	- 6			
75 Ω Snap-On Male Jack	- 7 †			
75 Ω Snap-On Female Plug	- 8 †			

* - 1 indicates gold plating,
 - 7 indicates nickel plating
 These series are nickel-plated brass.

† All Suffix "7" and "8" adapters are available as true 75 ohm connectors by adding /75 after basic part number. The Snap-On side can also be specified as a 75 ohm mini-SMB by adding an "M" after the "7" or "8" suffix. For example, a true 75 ohm BNC plug to a mini-SMB Snap-On male jack adapter would be a 2524/75-(*)-7M.