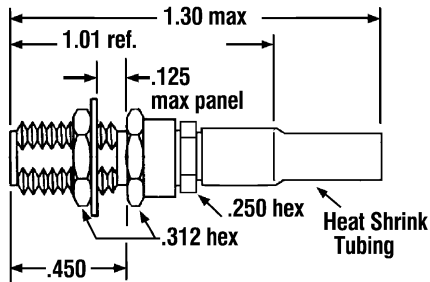


SMA COAXIAL CONNECTORS



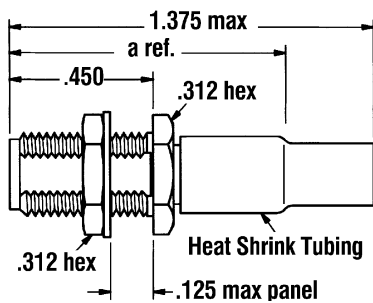
BULKHEAD JACK



FOR FLEXIBLE CABLE

MODEL	3610-1-*	3610-2-*	3610-3-*	3610-4-*	3610-5-*	3610-29-*
CABLE	RG55, 142, 223, 400, LMR195	RG58, 141, 303	RG174, 179, 187, 188, 316, LMR100A	RG180, 195	RG178, 196	RG174DS, RG188DS, RG316DS
NOTES	captive contact crimp/clamp	captive contact crimp/clamp	captive contact crimp/clamp	captive contact crimp/clamp	captive contact crimp/clamp	captive contact crimp/clamp

BULKHEAD JACK

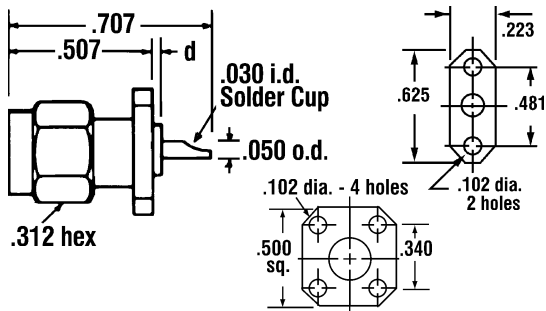


FOR FLEXIBLE CABLE

MODEL	3088-1-*	3088-2-*	3088-3-*	3088-4-*	3088-5-*
CABLE	RG55, 142, 223, 400, LMR195	RG58, 141, 303	RG174, 179, 187, 188, 316, LMR100A	RG180, 195	RG178, 196
a =	.945	.945	.825	.945	.945
NOTES	non-captive contact crimp or solder	non-captive contact crimp or solder	non-captive contact crimp or solder	non-captive contact crimp or solder	non-captive contact crimp or solder

NOTE: For crimp version (passivated only) add suffix "C"

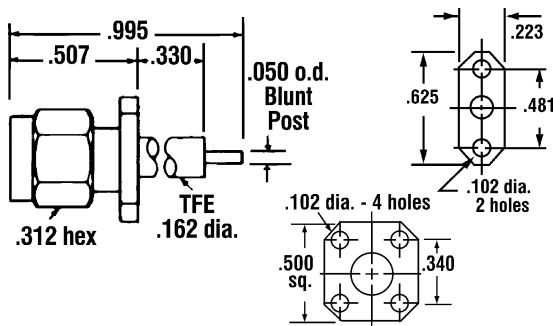
FLANGE MOUNT PLUG



RECEPTACLE

MODEL	3111-1-*	3111-2-*	3112-1-*	3112-2-*
FLANGE	4 hole	4 hole	2 hole	2 hole
d =	0.0	.025	0.0	.025
NOTES	captive contact without exposed TFE solder cup	captive contact with exposed TFE solder cup	captive contact without exposed TFE solder cup	captive contact with exposed TFE solder cup

FLANGE MOUNT PLUG



RECEPTACLE

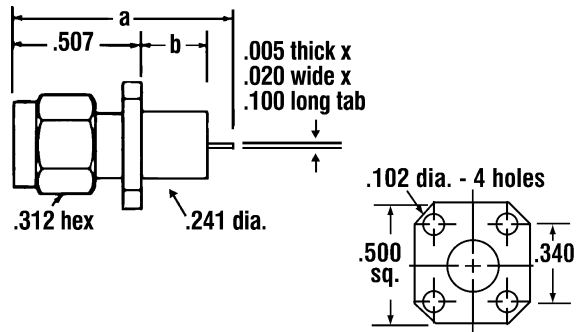
MODEL	3214CC-*	3214-*	3117CC-*	3117-*
FLANGE	4 hole	4 hole	2 hole	2 hole
NOTES	captive contact blunt post	non-captive contact blunt post	captive contact blunt post	non-captive contact blunt post

Add "M" to part no. for .010 O.D. post and .085 DIA. TFE (Example: 3214MCC-*)

*-1 indicates gold plated stainless steel all over.

-9 indicates passivated (stainless finish) except in areas where gold plating is required for solderability.

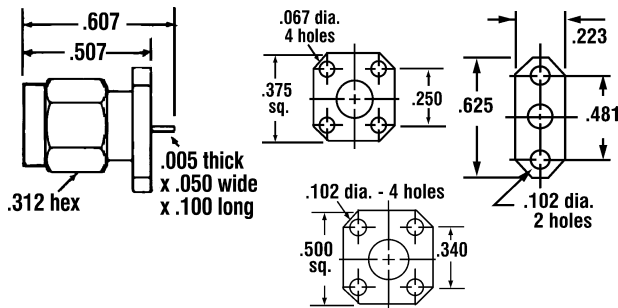
FLANGE MOUNT PLUG



RECEPTACLE

MODEL	3127M-*	3128M-*	3129M-*
FLANGE	4 hole	4 hole	4 hole
a =	.700	.732	.794
b =	.093	.125	.187
NOTES	tab-terminal captive contact	tab-terminal captive contact	tab-terminal captive contact

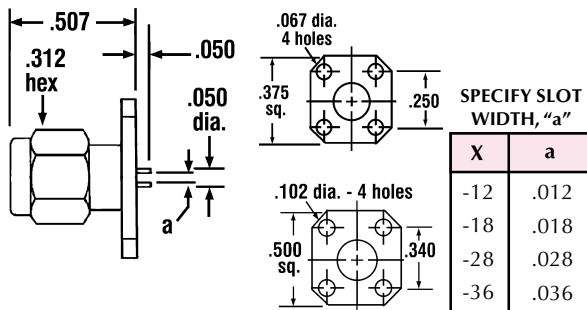
FLANGE MOUNT PLUG



RECEPTACLE

MODEL	3144-3CC-*	3122-*	39261-CC-*	3926J-CC-*
FLANGE	4 hole .500 sq.	4 hole .375 sq.	2 hole	2 hole
NOTES	tab terminal captive contact	tab terminal captive contact	horizontal tab terminal captive contact	vertical tab terminal captive contact

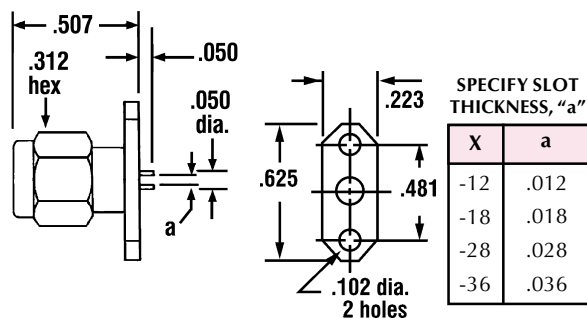
FLANGE MOUNT PLUG



RECEPTACLE

MODEL	3923CC-X-*	3923-X-*	3922CC-X-*	3922-X-*
FLANGE	4 Hole .500 sq.	4 Hole .500 sq.	4 Hole .375 sq.	4 Hole .375 sq.
a =	see table	see table	see table	see table
NOTES	slot terminal captive contact	slot terminal non-captive contact	slot terminal captive contact	slot terminal captive contact

FLANGE MOUNT PLUG



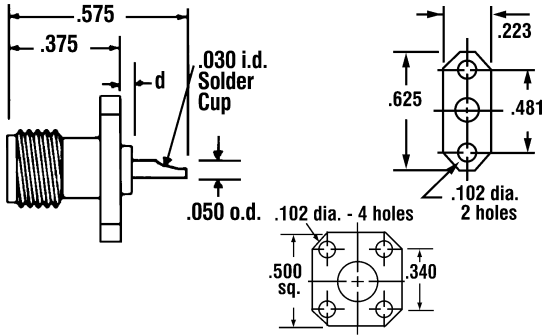
RECEPTACLE

MODEL	3249CC-X-*	3249ACC-X-*	3249-X-*
FLANGE	2 Hole	2 Hole	2 Hole
a =	see table	see table	see table
NOTES	horizontal slot terminal captive contact	vertical slot terminal captive contact	horizontal slot terminal non-captive contact

* -1 indicates gold plated stainless steel all over.

-9 indicates passivated (stainless finish) except in areas where gold plating is required for solderability.

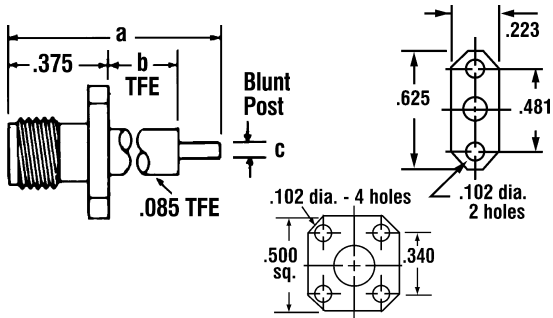
FLANGE MOUNT JACK



RECEPTACLE

MODEL	3215-*	3244-2-*	3244-2F-*
FLANGE	4 hole	2 hole	2 hole
d =	0.0	.025	0.0
NOTES	captive contact solder cup	captive contact solder cup	captive contact solder cup

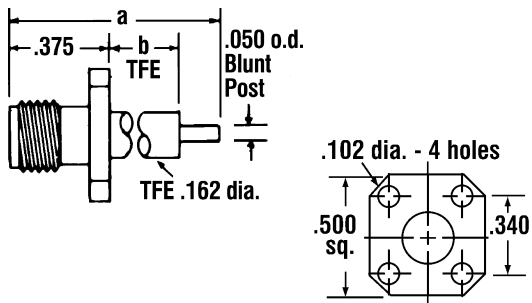
FLANGE MOUNT JACK



RECEPTACLE

MODEL	3123-*	3124-*	3244-6-*	3244-7-*	3991A-CC-*
FLANGE	4 hole	4 hole	2 hole	2 hole	2 hole
a =	.550	.482	.550	.482	.475
b =	.125	.057	.125	.057	0.0
c =	.010	.010	.010	.010	.010
NOTES	captive contact	captive contact	captive contact	captive contact	captive contact

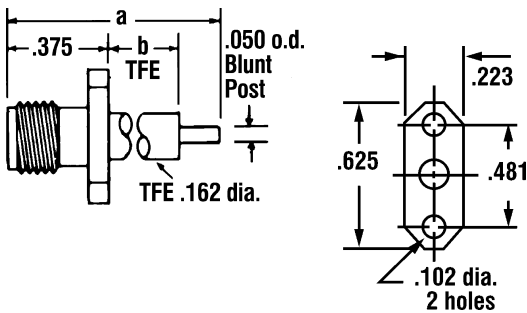
FLANGE MOUNT JACK



RECEPTACLE

MODEL	3204CC-*	3204LCC-*	3123A-CC-*	3124A-CC-*	3204-*
FLANGE	4 hole	4 hole	4 hole	4 hole	4 hole
a =	1.080	1.750	.550	.482	1.080
b =	.590	1.560	.125	.057	.590
NOTES	captive contact	captive contact	captive contact	captive contact	non-captive contact

FLANGE MOUNT JACK



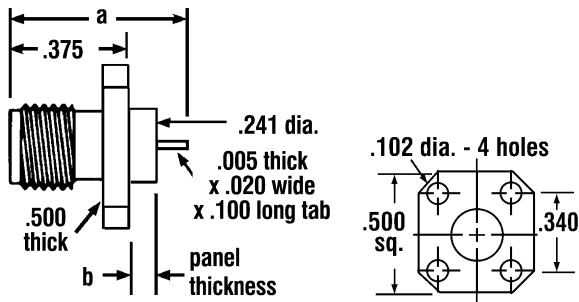
RECEPTACLE

MODEL	3000-*	3000CC-*	3244A-6-*
FLANGE	2 hole	2 hole	2 hole
a =	1.080	1.080	.550
b =	.590	.590	.125
NOTES	non-captive contact	captive contact	captive contact

* -1 indicates gold plated stainless steel all over.

-9 indicates passivated (stainless finish) except in areas where gold plating is required for solderability.

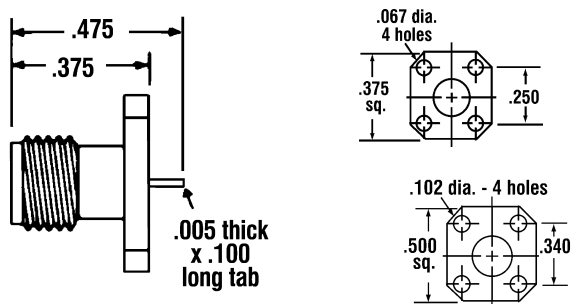
FLANGE MOUNT JACK



RECEPTACLE

MODEL	3127-*	3128-*	3129-*
FLANGE	4 hole	4 hole	4 hole
a =	.568	.600	.662
b =	.093	.125	.187
NOTES	tab terminal captive contact	tab terminal captive contact	tab terminal captive contact

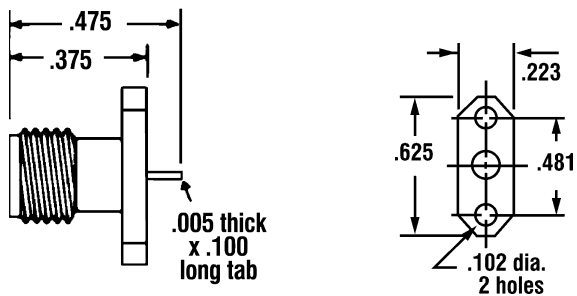
FLANGE MOUNT JACK



RECEPTACLE

MODEL	3215-3CC-*	3215-3-*	3215-5CC-*	3211-*
FLANGE	4 hole .500 sq.	4 hole .500 sq.	4 hole .500 sq.	4 hole .375 sq.
NOTES	tab terminal captive contact .050 wide tab	tab terminal non-captive contact .050 wide tab	tab terminal captive contact .020 wide tab	tab terminal captive contact .050 wide tab

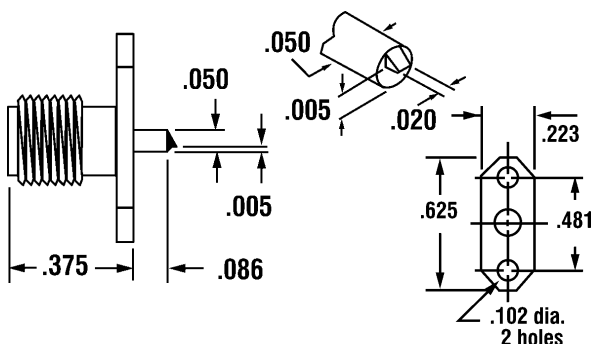
FLANGE MOUNT JACK



RECEPTACLE

MODEL	3244-3CC-*	3244-3-*	3244B-3CC-*	3244-5C-*
FLANGE	2 hole	2 hole	2 hole	2 hole
NOTES	horizontal tab terminal captive contact .050 wide tab	horizontal tab terminal non-captive contact .050 wide tab	vertical tab terminal captive contact .050 wide tab	horizontal tab terminal captive contact .025 wide tab

FLANGE MOUNT JACK



RECEPTACLE

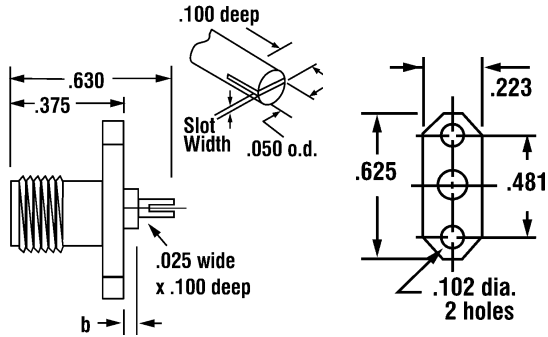
MODEL	3244-4A-*
FLANGE	2 hole
NOTES	captive contact compression terminal

* -1 indicates gold plated stainless steel all over.

-9 indicates passivated (stainless finish) except in areas where gold plating is required for solderability.



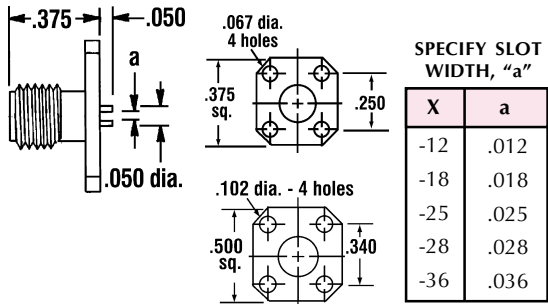
FLANGE MOUNT JACK



RECEPTACLE

MODEL	3244-1-*	3244-1CC-*	3244-1ACC-*	3244-8-*
FLANGE	2 hole	2 hole	2 hole	2 hole
b =	.030	.030	.030	0.0
NOTES	non-captive contact slot terminal	captive contact vertical slot terminal	non-captive contact slot terminal	captive contact horizontal slot terminal

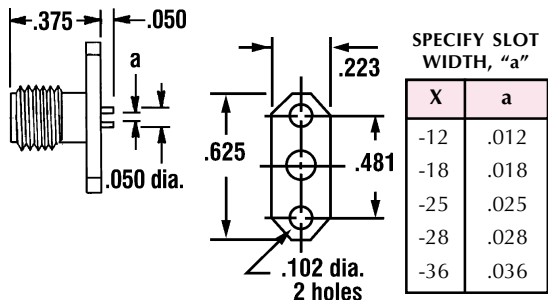
FLANGE MOUNT JACK



RECEPTACLE

MODEL	3919CC-X-*	3919-X-*	3918CC-X-*	3918-X-*
FLANGE	4 hole .500 sq.	4 hole .500 sq.	4 hole .375 sq.	4 hole .375 sq.
a =	see table	see table	see table	see table
NOTES	slot terminal captive contact	slot terminal non-captive contact	slot terminal captive contact	slot terminal non-captive contact

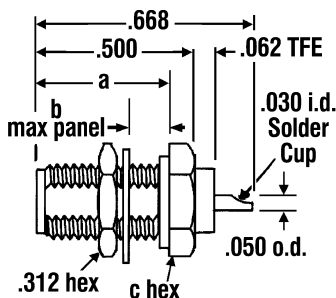
FLANGE MOUNT JACK



RECEPTACLE

MODEL	3250CC-X-*	3250ACC-X-*	3250-X-*
FLANGE	2 hole	2 hole	2 hole
a =	see table	see table	see table
NOTES	horizontal slot terminal captive contact	vertical slot terminal captive contact	slot terminal non-captive contact

BULKHEAD JACK

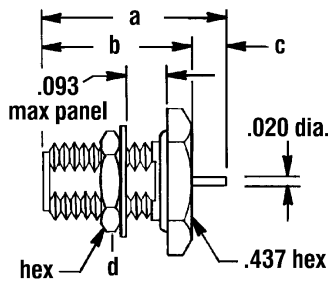


RECEPTACLE

MODEL	3211-*	3211A-*	3211B-*	3212-*
a =	.450	.415	.415	.415
b =	.125	.093	.093	.093
c =	.312	.437	.312	.437
NOTES	rear mount no gasket	rear mount no gasket	rear mount no gasket	rear mount gasket

* -1 indicates gold plated stainless steel all over.
 -9 indicates passivated (stainless finish) except in areas where gold plating is required for solderability.
 SEE SPECIFICATION SHEET FOR MOUNTING HOLE SIZE.

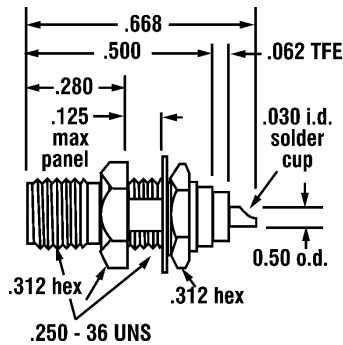
BULKHEAD JACK



RECEPTACLE

MODEL	3721-*	3721A-*
a =	.530	.615
b =	.415	.500
c =	.115	.115
d =	.375	.312
NOTES	rear mount blunt post - gasket hermetically sealed	rear mount blunt post - gasket hermetically sealed

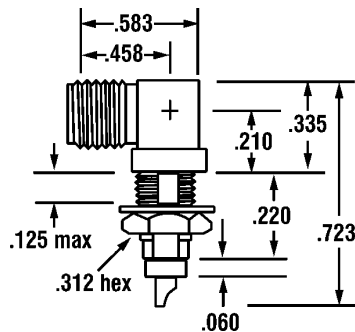
BULKHEAD JACK



RECEPTACLE

MODEL	3118-*
NOTES	front mount solder cup no gasket

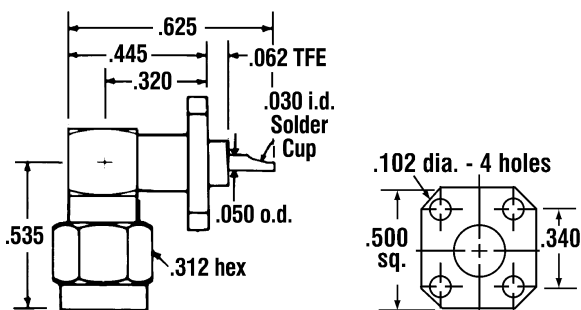
BULKHEAD RIGHT ANGLE JACK



RECEPTACLE

MODEL	3126-*
NOTES	front mount solder cup no gasket

FLANGE MOUNT RIGHT ANGLE PLUG



RECEPTACLE

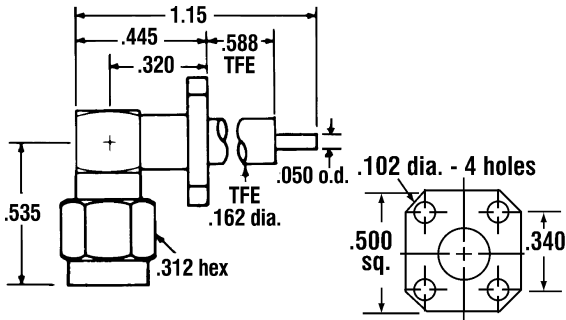
MODEL	3150-*
FLANGE	4 hole
NOTES	solder cup

* -1 indicates gold plated stainless steel all over.

-9 indicates passivated (stainless finish) except in areas where gold plating is required for solderability.

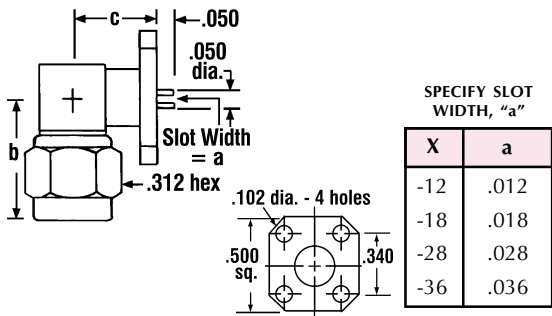
SEE SPECIFICATION SHEET FOR MOUNTING HOLE SIZE.

FLANGE MOUNT RIGHT ANGLE PLUG



RECEPTACLE

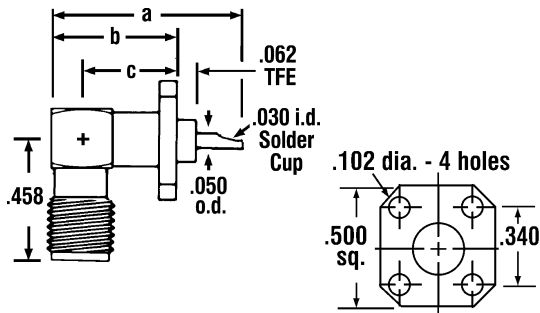
MODEL	3151-*
FLANGE	4 hole
NOTES	blunt post



RECEPTACLE

MODEL	3152-1-X-*	3152-1A-X-*	3152-2-X-*	3152-2A-X-*
a =	see table	see table	see table	see table
b =	.500	.500	.427	.427
c =	.380	.380	.312	.312
NOTES	DC - 12.4 GHz horizontal slot terminal	DC - 12.4 GHz vertical slot terminal	DC - 18 GHz horizontal slot terminal	DC - 18 GHz vertical slot terminal

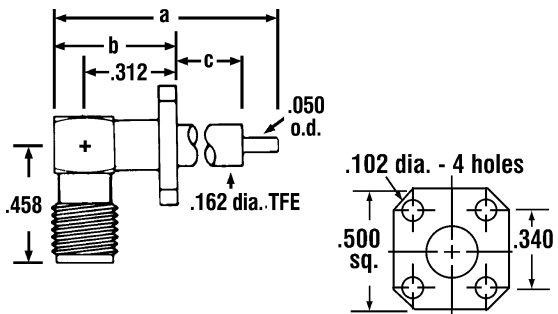
FLANGE MOUNT RIGHT ANGLE JACK



RECEPTACLE

MODEL	3224-*	3224L-*
a =	.685	.550
b =	.505	.360
c =	.380	.240
NOTES	solder cup	solder cup low profile

FLANGE MOUNT RIGHT ANGLE JACK

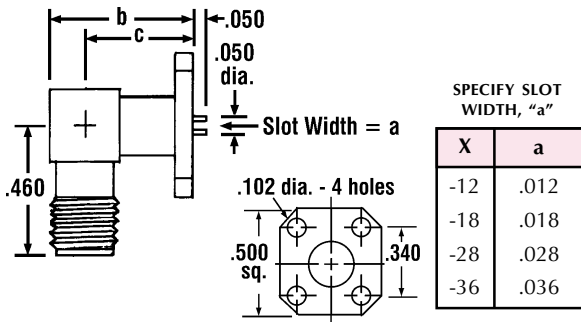


RECEPTACLE

MODEL	3116-*	3116-1-*	3116-2-*	3116-3-*	3116-4-*
a =	1.14	.835	.795	.680	.935
b =	.437	.505	.505	.505	.505
c =	.590	.240	.240	.130	.350
NOTES	blunt post				

* -1 indicates gold plated stainless steel all over.
 -9 indicates passivated (stainless finish) except in areas where gold plating is required for solderability.

FLANGE MOUNT RIGHT ANGLE JACK

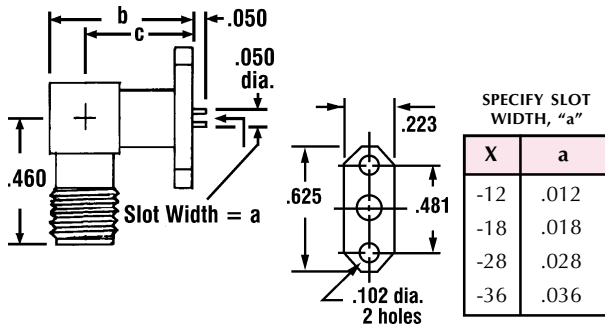


RECEPTACLE

MODEL	3225-1-X-*	3225-1A-X-*	3225-2-X-*	3225-2A-X-*
b =	.505	.505	.437	.437
c =	.380	.380	.312	.312
NOTES	DC-12.4 GHz horizontal slot terminal	DC-12.4 GHz vertical slot terminal	DC-18 GHz horizontal slot terminal	DC-18 GHz vertical slot terminal

Horizontal Slot Shown

FLANGE MOUNT RIGHT ANGLE JACK



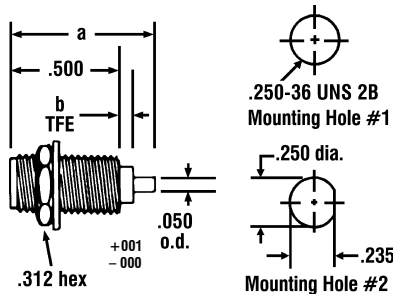
RECEPTACLE

MODEL	3226-1#-X-*	3226-1A#-X-*	3226-2#-X-*	3226-2A#-X-*
b =	.505	.505	.505	.505
c =	.380	.380	.312	.312
NOTES	DC-12.4 GHz horizontal slot terminal	DC-12.4 GHz vertical slot terminal	DC-18 GHz horizontal slot terminal	DC-18 GHz vertical slot terminal

Add Suffix "R" or "L" for 45° right or 45° left flange contact orientation respectively. Reference is with the connector pointing down, while being viewed from the contact side of the flange.

Horizontal Slot Shown

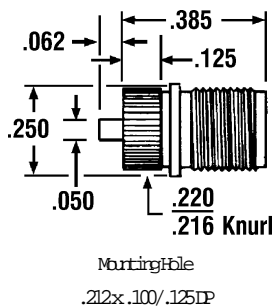
BULKHEAD FRONT/REAR MOUNT JACK



RECEPTACLE

MODEL	3220-*	3220A-*	3220-1-*	3220A-1-*
a =	.660	.660	.668	.668
b =	.076	.076	.062	.062
MOUNTING HOLE	1	2	1	2
NOTES	blunt post captive contact without flat	blunt post captive contact with flat	two lock nuts solder pot captive contact without flat	two lock nuts solder pot captive contact with flat

PRESS FIT FRONT MOUNT JACK



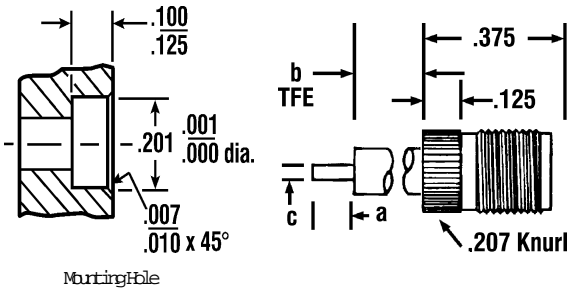
RECEPTACLE

MODEL	3109CC-*
NOTES	blunt post captive contact

* -1 indicates gold plated stainless steel all over.

-9 indicates passivated (stainless finish) except in areas where gold plating is required for solderability.

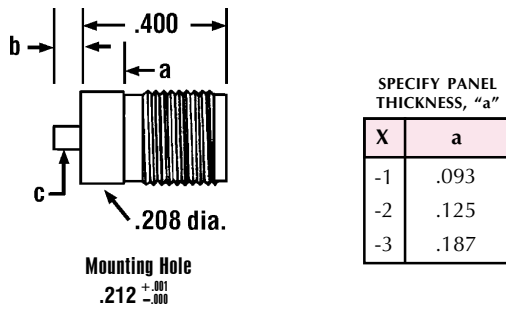
PRESS FIT FRONT MOUNT JACK



RECEPTACLE

MODEL	3109-1-*	3109CC-1-*	3109PCC-*	3904-*	3904CC-*
a =	.115	.115	.200	.100	.100
b =	.590	.590	0.0	0.0	0.0
c =	.050	.050	.050 o.d. x .030 i.d.	.005 thick x .050 wide tab	.005 thick x .050 wide tab
NOTES	blunt post non-captive contact	blunt post captive contact	solder pot captive contact	tab terminal non-captive contact	tab terminal captive contact

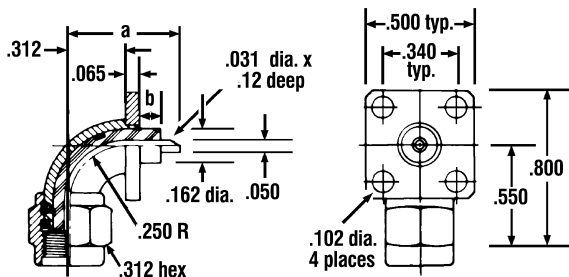
PANEL SOLDER FRONT MOUNT JACK



RECEPTACLE

MODEL	3110CC-X-1	3110ACC-X-1	3110BCC-X-1
a =	see table	see table	see table
b =	.100	.115	.115
c =	.005 thick x .020 wide	.020 dia.	.010 dia.
NOTES	tab terminal captive contact	blunt post captive contact	blunt post captive contact

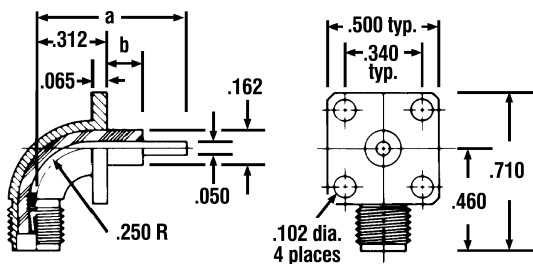
SWEPT RADIUS RIGHT ANGLE PLUG



RECEPTACLE

MODEL	3458-*	3459-*	3463-*
a =	.488	.687	1.017
b =	.090	.100	.590
NOTES	.030 D x .125 deep solder pot	straight contact .050 dia.	straight extended contact .050 dia.

SWEPT RADIUS RIGHT ANGLE JACK



RECEPTACLE

MODEL	3451-*	3452-*	3453-*	3454-*	3455-*	3456-*	3457-*
a =	1.017	.488	.612	.522	1.212	.622	.386
b =	.590	.090	.100	.210	.710	0.0	0.0
NOTES	extended straight contact	.030 D x .125 deep solder pot	extended straight contact	probe type straight contact flush with insulator	multi- purpose extended contact	extended contact flush insulator	extended contact flush insulator

* -1 indicates gold plated stainless steel all over.

-9 indicates passivated (stainless finish) except in areas where gold plating is required for solderability.